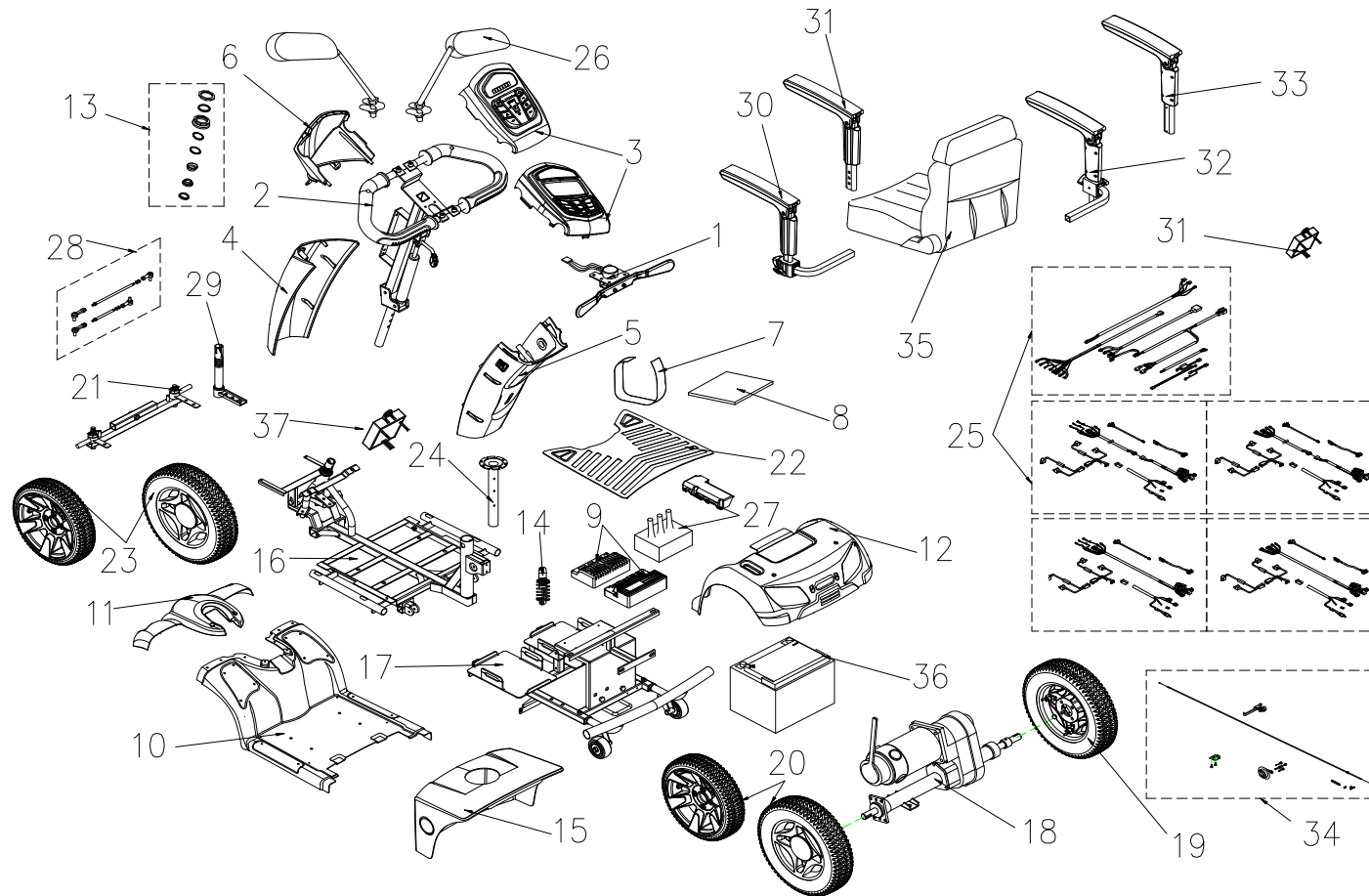
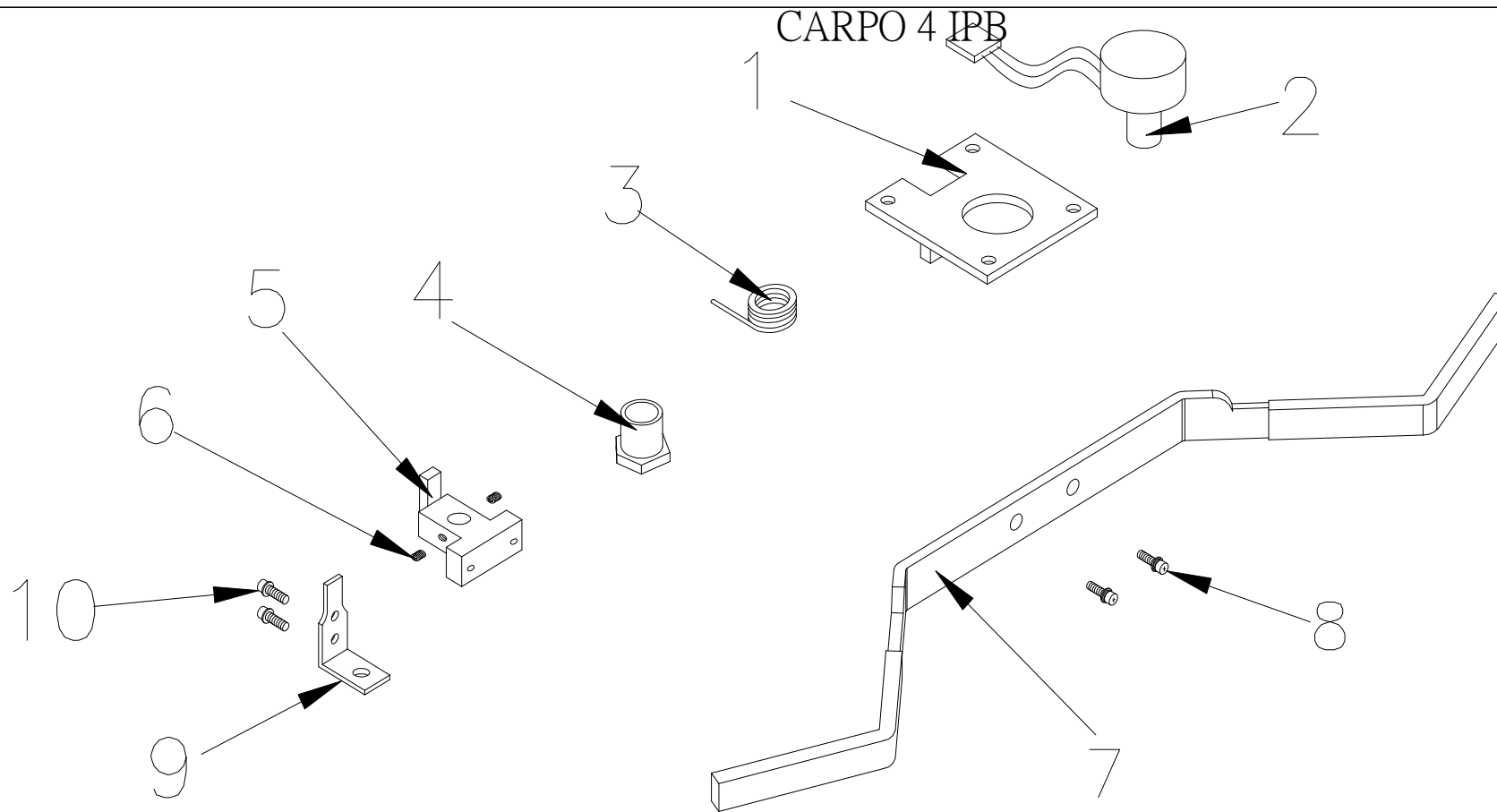


CARPO 4 IPB





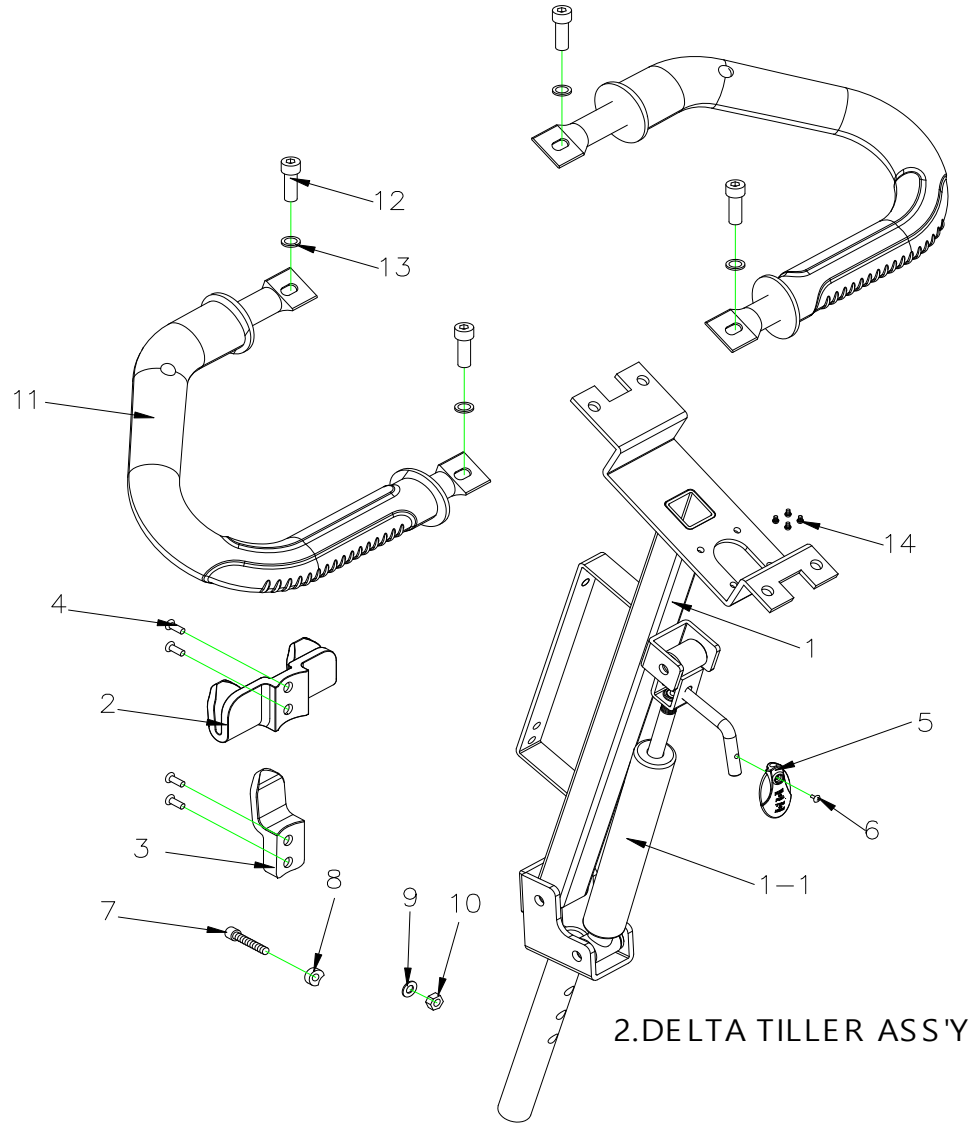
1.SPEED DIAL ASS'Y

Fig&Index NO.	Parts No.	Description	QTY.	Remark
1	1904224	SPEED DIAL ASS'Y	1 SET	
1-1	1910534	FIX PLATE , SPEED LEVER	1	
1-2	1905662	VR ONLY	1	
1-3	1901981	TORSION SPRING , SPEED LEVER	1	
1-4		NUT	1	
1-5		HOLDER , SPEED LEVER	1	
1-6		LOCKING SCREW , 4x4	2	

CARPO 4 IPB

1-7	1906357	SPEED LEVER	1	
1-8		BOLT,M4x12	2	
1-9		HOLDER , SPEED LEVER COMP.	1	
1-10		BOLT,M3x4L	2	

CARPO 4 IPB



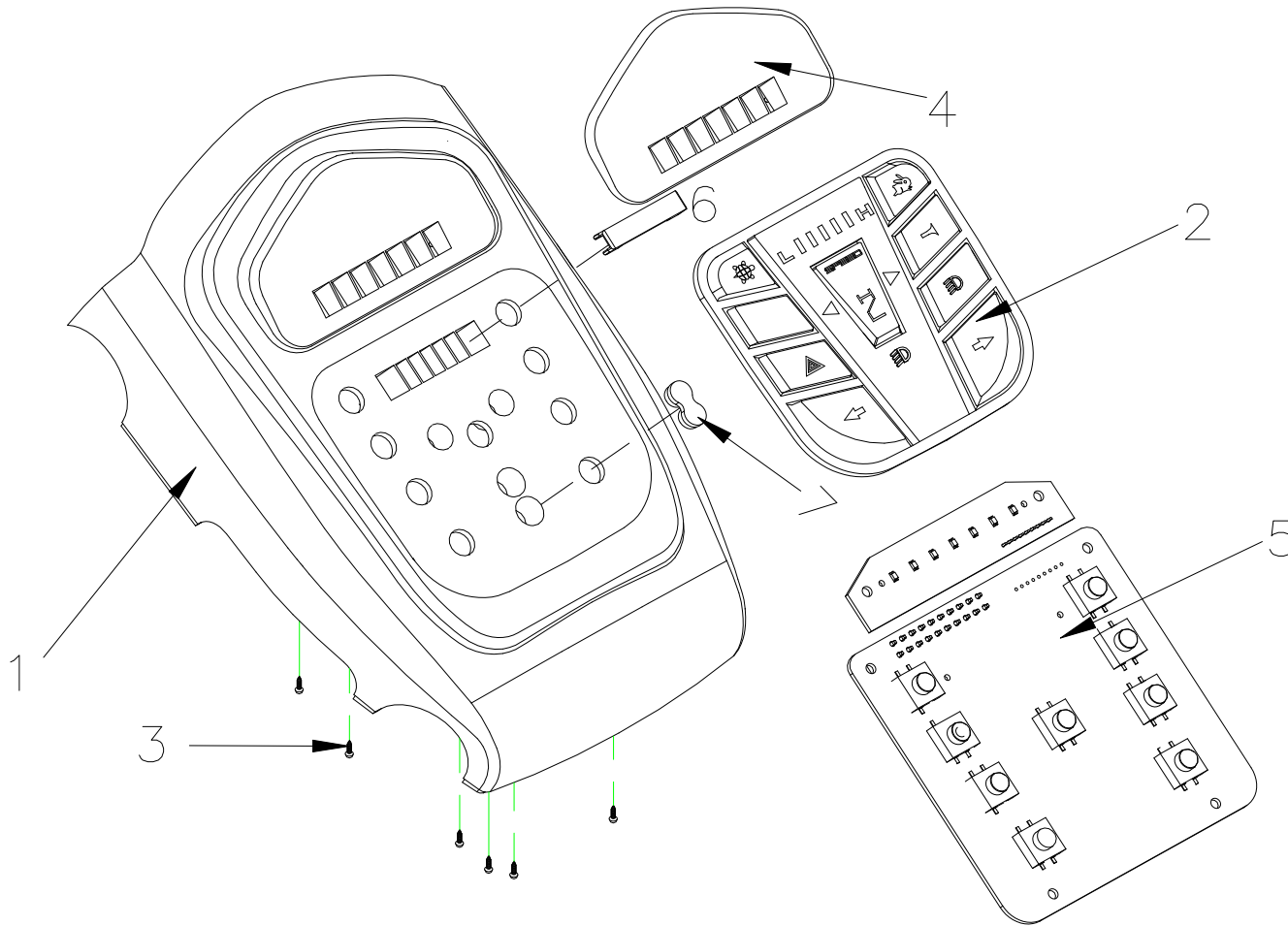
2.DELTA TILLER ASS'Y

Fig&Index NO.	Parts No.	Description	QTY.	Remark
2	1908548	DELTA TILLER ASS'Y	1 SET	
2-1	1905268	DELTA TILLER	1	
2-1-1	1904289	OIL PRESSURE STICK , 45KG	1	

CARPO 4 IPB

2-2	1904362	BASKET HOLDER,PAINTED,UPPER	1	
2-2	1909173	BASKETHOLDER PVC UPPER		
2-3	1904363	BASKET HOLDER,PAINTED,LOWER	1	
2-3	1909174	BASKETHOLDER PVC LOWER		
2-4	1909174	BOLT,M6x40L	4	
2-5	1904288	SHAFT	1	
2-6		CR ROUND HD SCREW , M4x8L	1	
2-7	2994915	HEX FLANGE BOLT,M8x40L	2	
2-8		WASHER	1	
2-9	1001556	WASHER,M8	1	
2-10	1007557	LUCK NUT,M8x1.25	1	
2-11	1904316	DELTA BAR SET W/I PU FOAMED	2	
2-12		BOLT M6x15L	4	
2-13		WASHER M6xOD13xID6.5x1mm	4	
2-14		BOLT,M3x8L	4	
	1904455	TILLER SHAFT	1	

CARPO 4 IPB



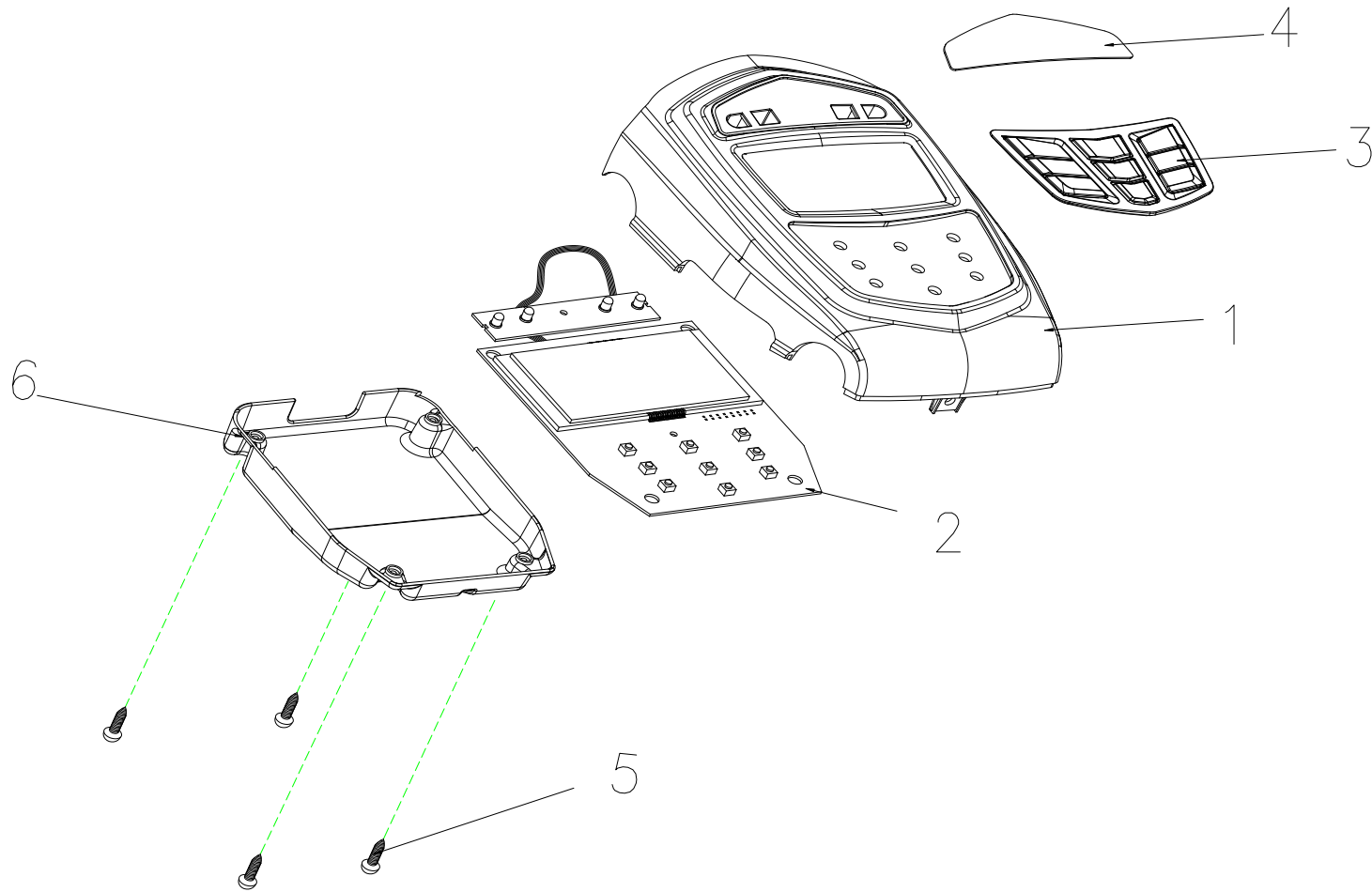
3. COVER , HANDLE BAR ASS'Y

Fig&Index NO.	Parts No.	Description	QTY.	Remark
3	1904856	COVER , HANDLE BAR ASS'Y , UPPER , BE 01	1 SET	
3-1	1905516	COVER , HANDLE BAR , UPPER	1	
3-2	1904318 = 1904369	CONTROL PANEL BUTTON	1	

CARPO 4 IPB

3-3		BOLT M3x8L	6	
3-4		BATTERY INDICATOR , BE 01	1	
3-5		CONTROL PANEL PC BOARD	1	
3-6		SPEED INDICATOR PAD	1	
3-7		FRONT/REAR LIGHT DISPLAY PAD	1	
3		COVER , HANDLE BAR ASS'Y , UPPER ,BE01	1 SET	
3-1		COVER , HANDLE BAR , UPPER	1	
3-2		CONTROL PANEL BUTTON (inclu. CRUISE CONTROL)	1	
3-3	191	BOLT M3x8L	6	
3-4	1904229	BATTERY INDICATOR , BE 01	1	
3-5	1904230	CONTROL PANEL PC BOARD	1	
3-6		SPEED INDICATOR PAD	1	
3-7		FRONT/REAR LIGHT DISPLAY PAD	1	

CARPO 4 IPB



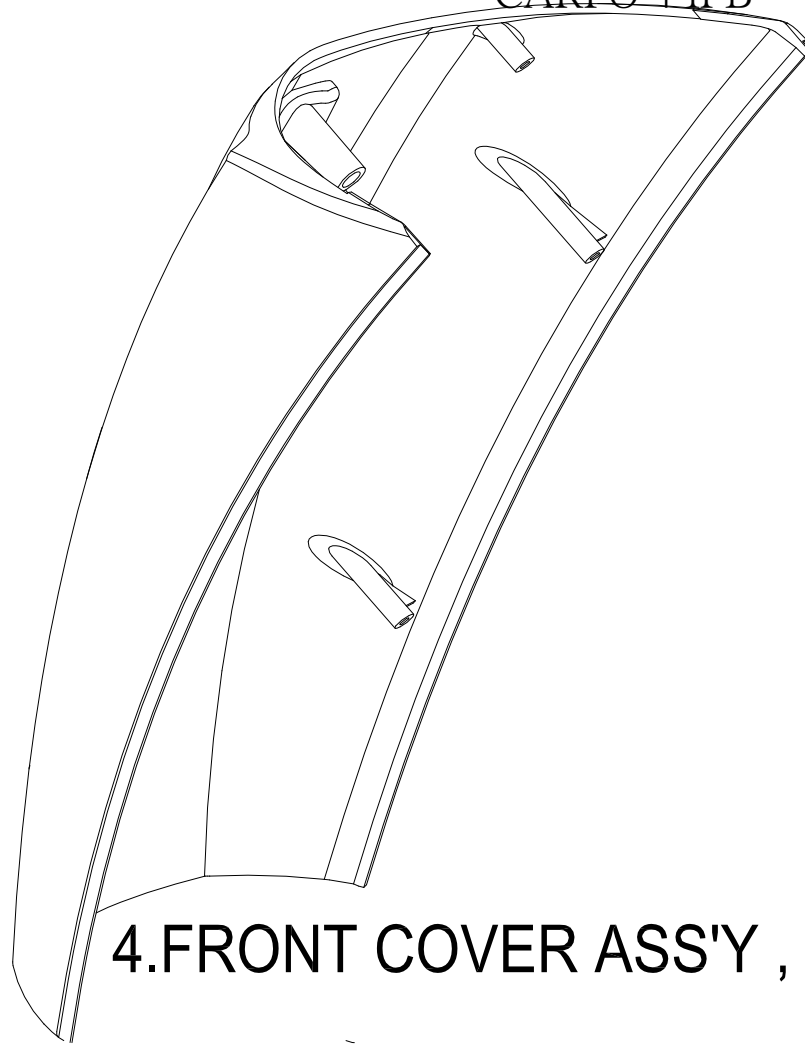
3. COVER , HANDLE BAR ASS'Y

Fig&Index NO.	Parts No.	Description	QTY.	Remark
3	1908936	COVER , HANDLE BAR ASS'Y , UPPER , FOR LCD USE	1 SET	
3-1	1908754	COVER , HANDLE BAR , UPPER	1	
3-2	1908604	CONTROL PANEL PC BOARD	1	

CARPO 4 IPB

3-3	1910236	CONTROL PANEL BUTTON	1	
3-4	1910237	PC BOARD COVER	1	
3-5		BOLT M3x8L	1	
3-6	1910563	WATER DEEP COVER	1	

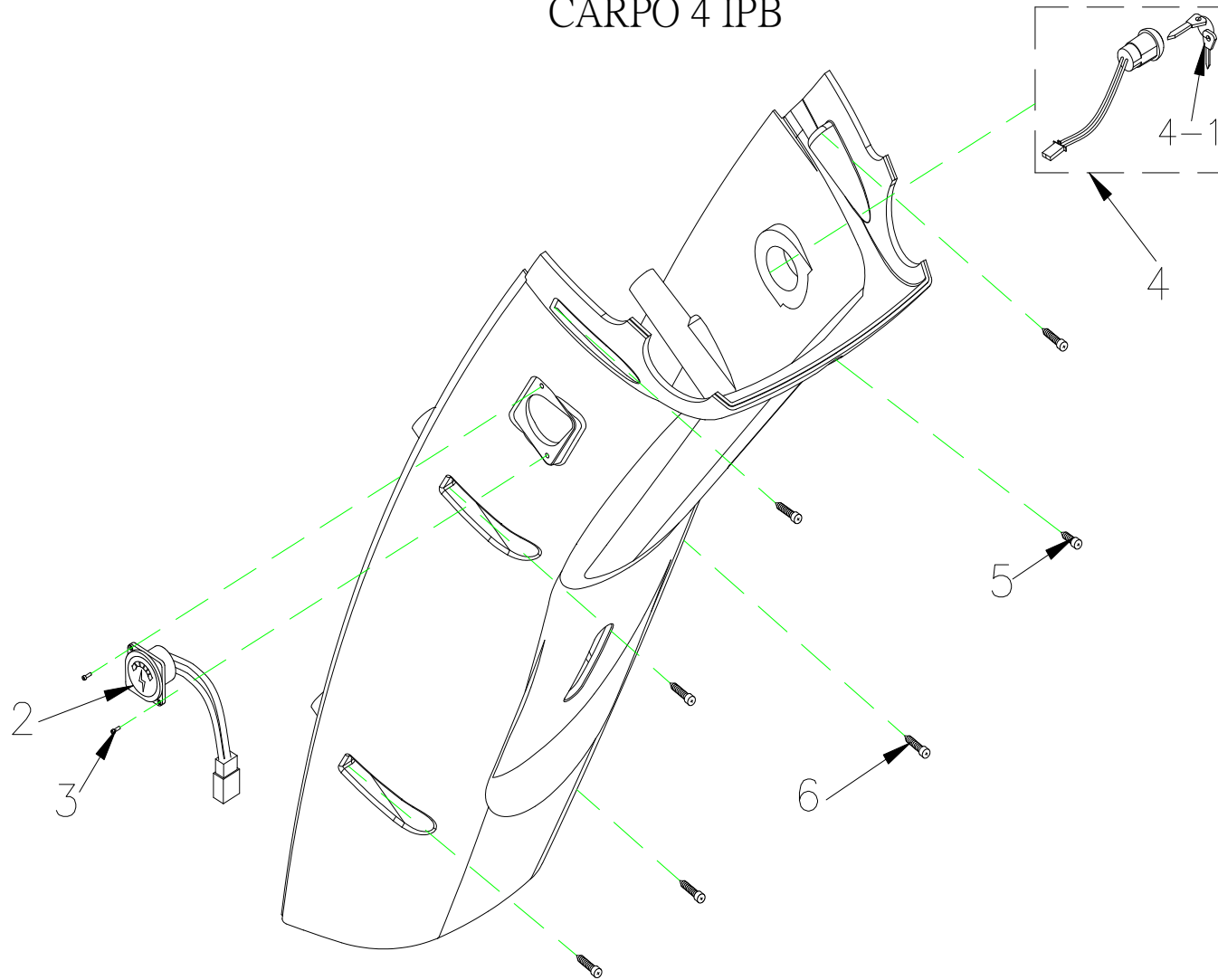
CARPO 4 IPB



4.FRONT COVER ASS'Y , HAND BAR

Fig&Index NO.	Parts No.	Description	QTY.	Remark
4	1904321	FRONT COVER , HAND BAR, SILVER 71	1	
4	1909910	FRONT COVER , HAND BAR, BROWN 82	1	
4	1917162	FRONT COVER HAND BAR GREY 77	1	
4	1904322	FRONT COVER HAND BAR WHITE	1	

CARPO 4 IPB



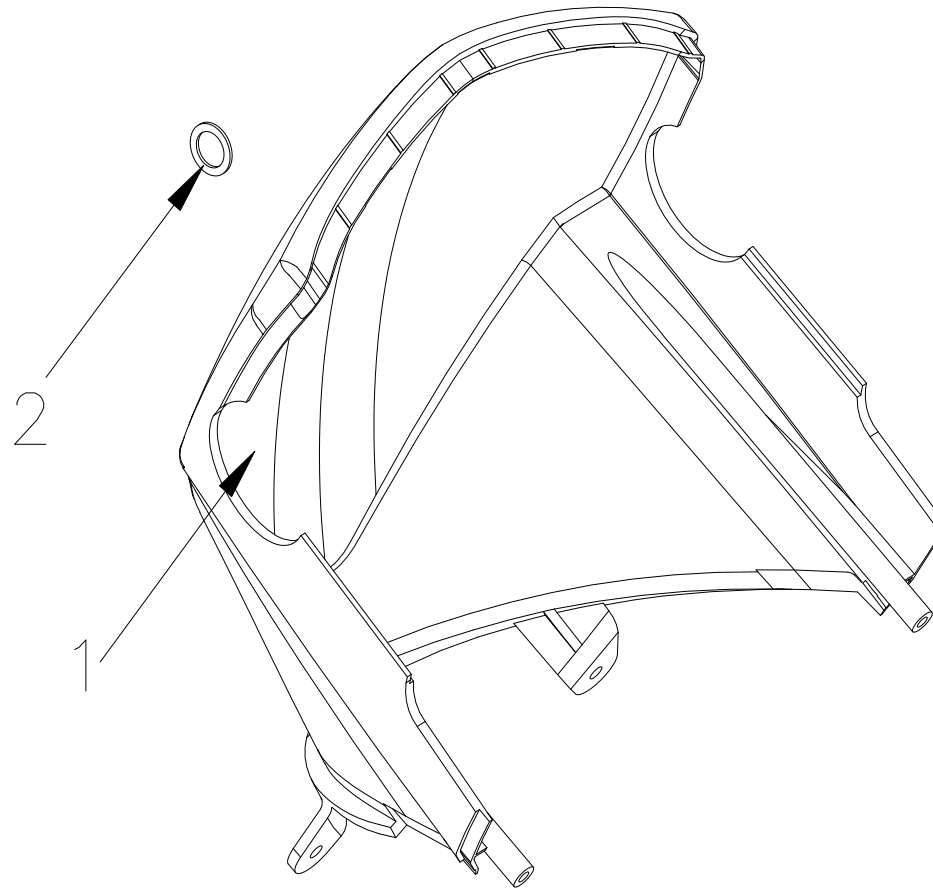
5.REAR COVER ASS'Y , HAND BAR

Fig&Index NO.	Parts No.	Description	QTY.	Remark
5		REAR COVER ASS'Y , HAND BAR , SILVER 71	1 SET	
5_1	1909909	REAR COVER HAND BAR , BROWN 82		
5-1	1904325	REAR COVER , HAND BAR , SILVER 71	1	

CARPO 4 IPB

5-1	1917163	REAR COVER , HAND BAR , GREY 77	1	
5-2	1904249	CHARGER SOCKET ASS'Y	1	
5-3	1907667	CR PAN HD SCREW , M3 X15	2	
5-4	1904250	IGNITION SWIITCH ASS'Y	1	
5-4-1	1904251	KEY	1	
5-5		BOLT M4x20L	1	
5-6	1907505	BOLT,M4x20L	6	
5		REAR COVER ASS'Y , HAND BAR , BROWN 82	1 SET	
5-1		REAR COVER , HAND BAR, BROWN 82	1	
5-2	1904249	CHARGER SOCKET ASS'Y	1	
5-3		CR PAN HD SCREW , M2.5x8L	2	
5-4	1904250	IGNITION SWIITCH ASS'Y	1	
5-4-1	1904251	KEY	1	
5-5		BOLT M4x20L	1	
5-6		BOLT,M4x20L	6	

CARPO 4 IPB

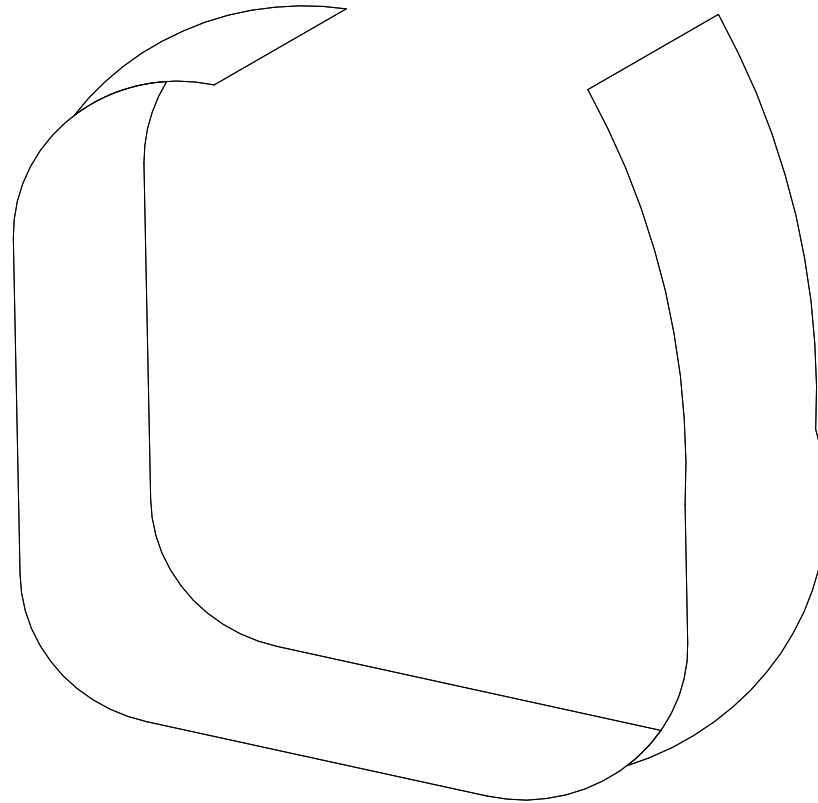


6. COVER , HANDLE BAR , LOWER ASS'Y

Fig&Index NO.	Parts No.	Description	QTY.	Remark
6		COVER ASS'Y , HANDLE BAR , LOWER , SILVER 71	1 SET	
6-1	1917164	COVER , HANDLE BAR , LOWER , GREY 77	1	
6-1	1904338	COVER , HANDLE BAR , LOWER , SILVER 71	1	

CARPO 4 IPB

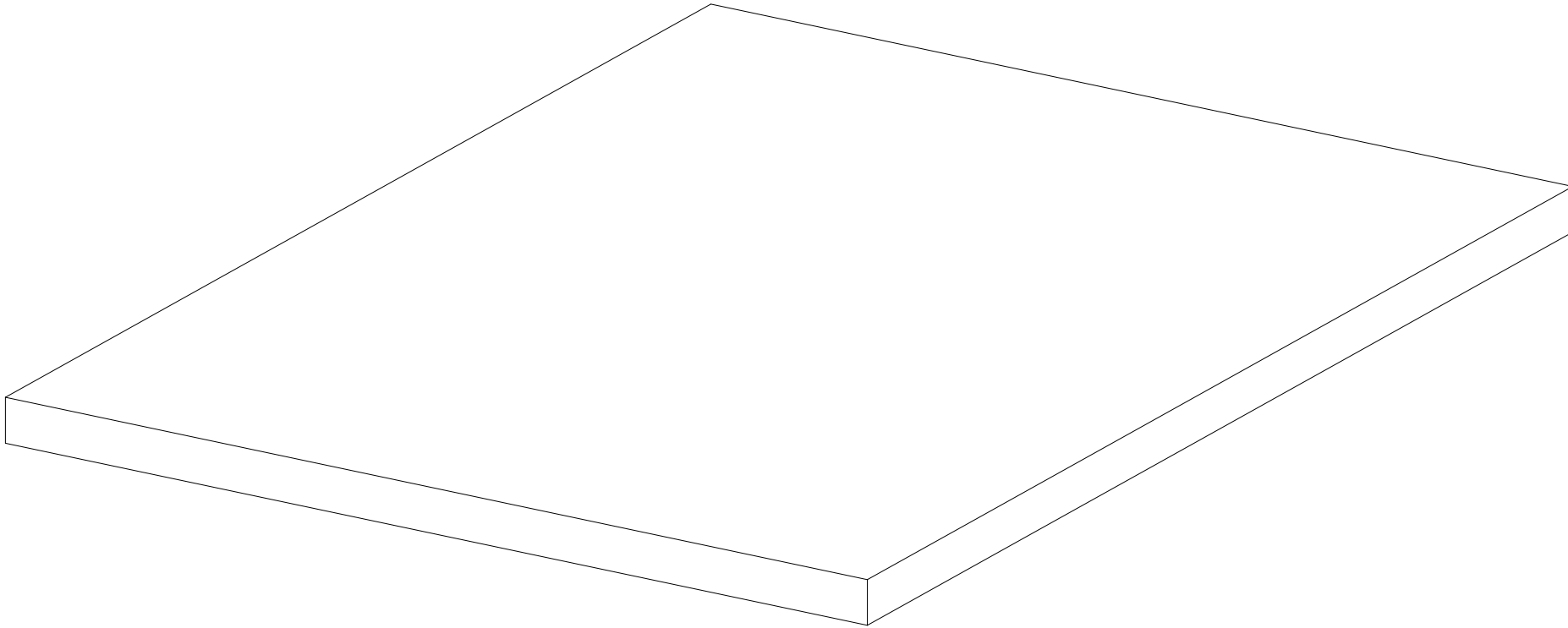
6-2	1912152	PLUG	1	
6-1	1909333	COVER , HAND BAR , LOWER , BROWN 82	1	
6-2	1912152	PLUG	1	
6-1	1904339	TILLER HEAD COVER, WHITE 91	1	



7.VELCRO STRIP,BATTERY

Fig&Index NO.	Parts No.	Description	QTY.	Remark
7	1907731	VELCRO STRIP , BATTERY	1	

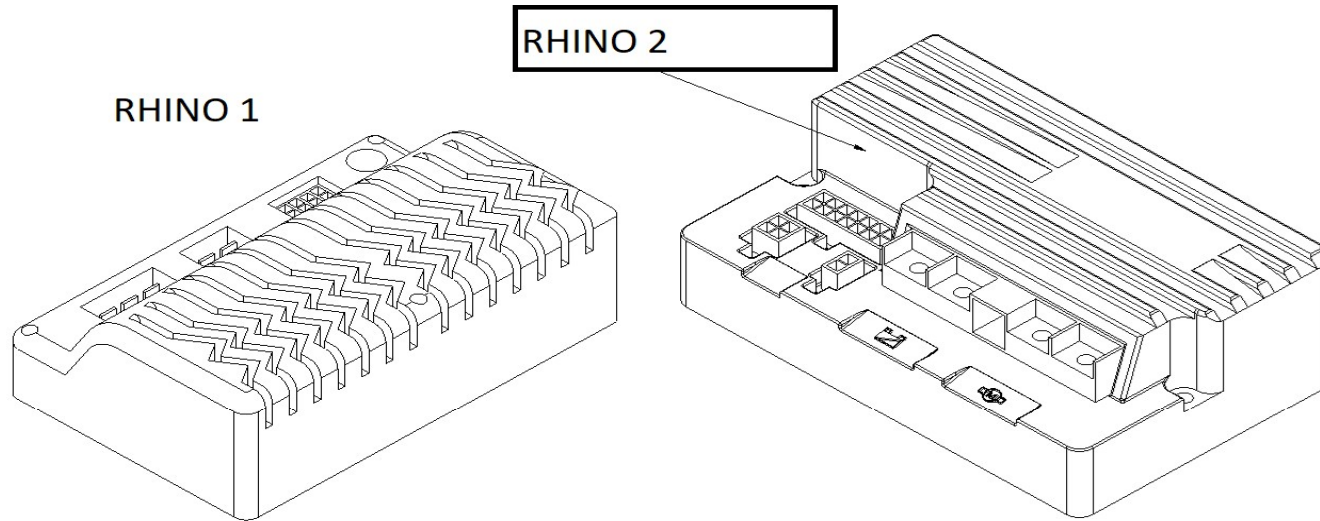
CARPO 4 IPB



8.RUBBER PAD,BATTERY

Fig&Index NO.	Parts No.	Description	QTY.	Remark
8	1912420	RUBBER PAD , BATTERY	1	

ML4SB Parts List (2015.11.11)

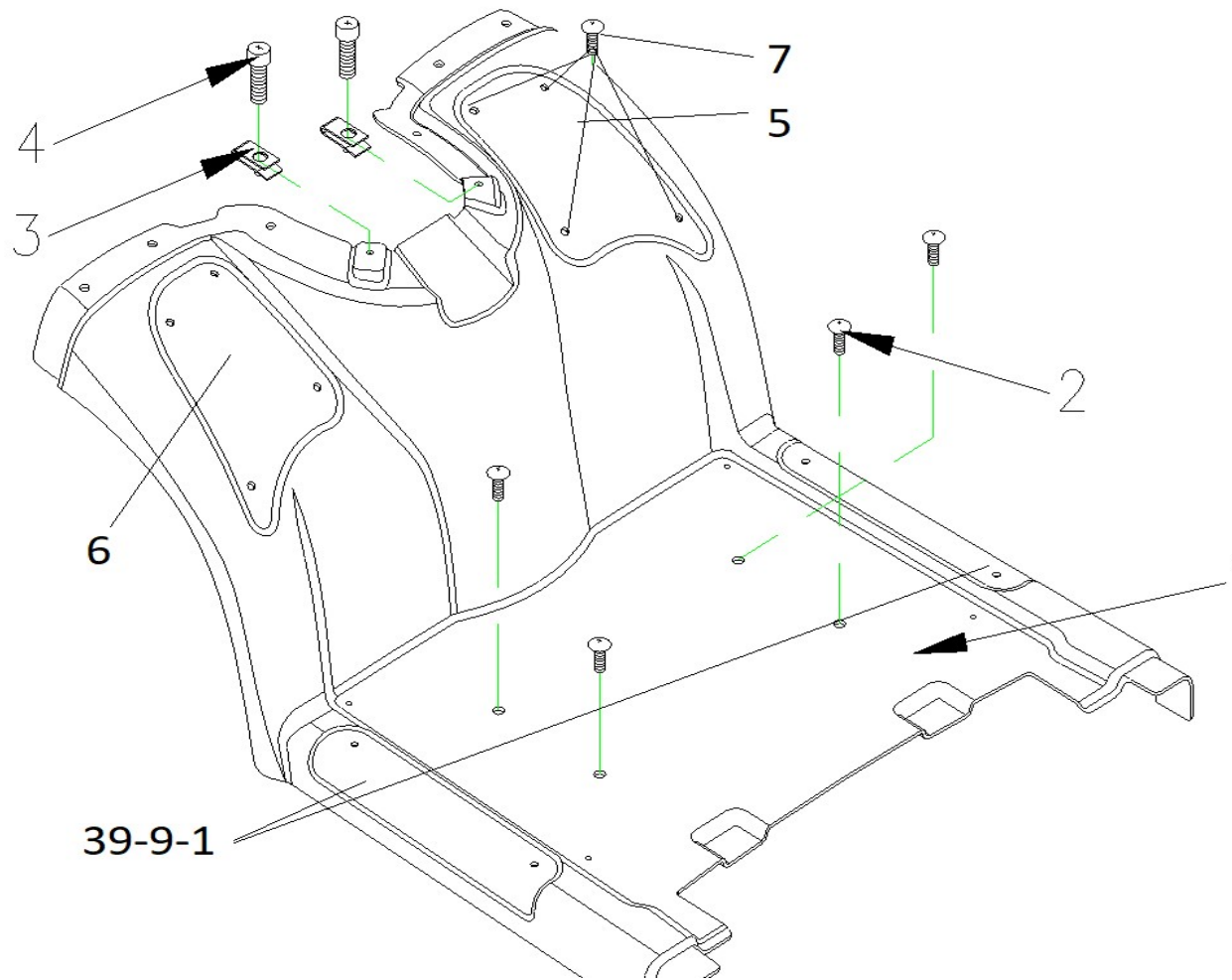


9.CONTROLLER

Fig&Index NO.	Parts No.	Description	QTY.	Remark
9	1907982	CONTROLLER , DYNAMIC 160A , FOR RHINO 2	1	

CONTROLLER , DYNAMIC 160A , FOR RHINO 1 (no longer available)

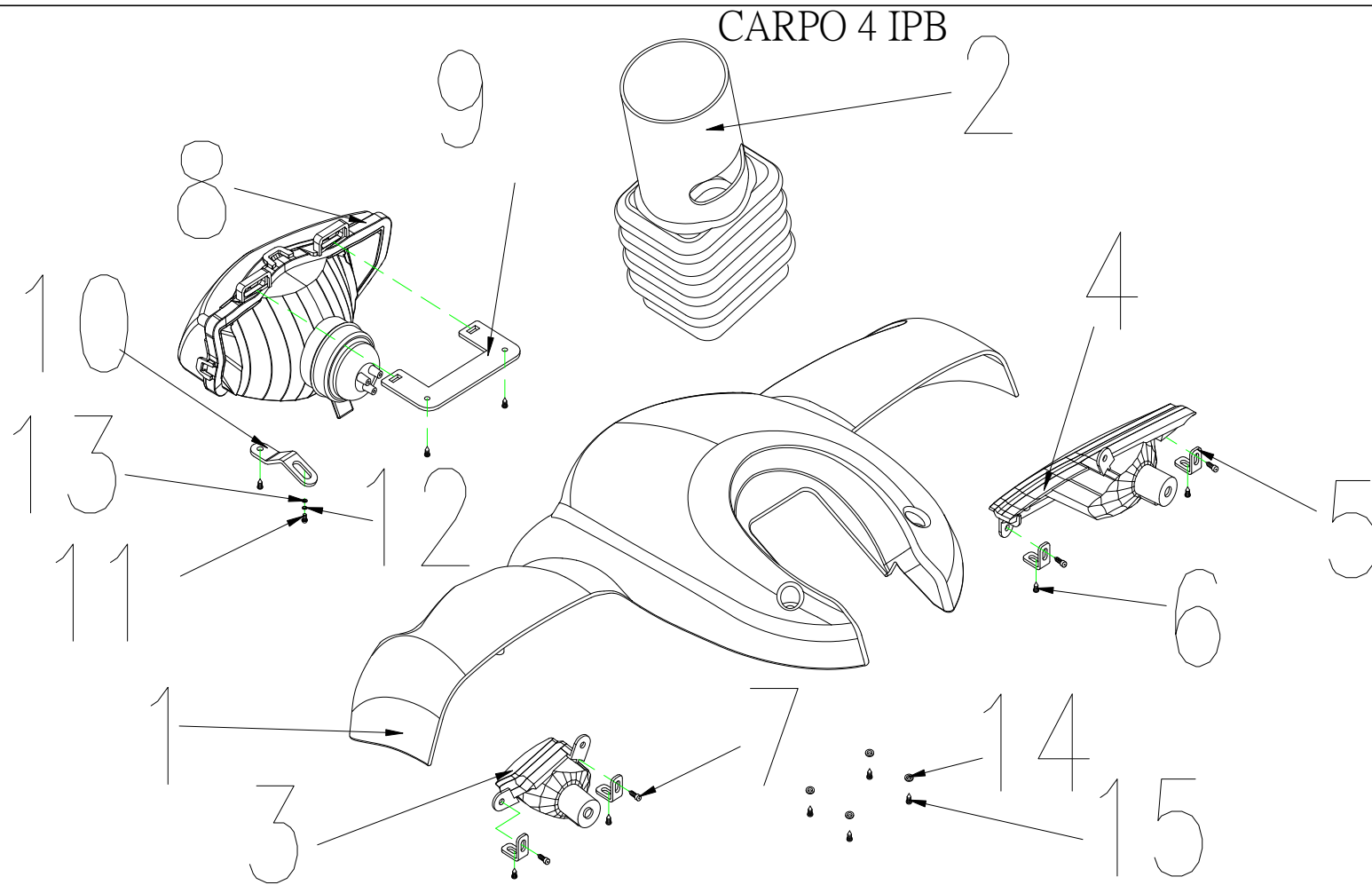
CARPO 4 IPB



Fig&Index NO.	Parts No.	Description	QTY.	Remark
10		MIDDLE SHROUD ASS'Y, CHAMPAGNE 第 18 頁・共 70 頁	1 SET	

CARPO 4 IPB

10-1	1909968	MIDDLE SHROUD , CHAMPAGNE	1	
10-2		BOLT M6x20L	4	
10-3		U-TYPE SPRING NUT	2	
10-4		BOLT M6x20L	2	
10		MIDDLE SHROUD ASS'Y , BROWN	1 SET	
10-1	1917166	MIDDLE SHROUD , GREY 77	1	
10-1	1909967	MIDDLE SHROUD , BROWN 82	1	
10-1	1914035	MIDDLE SHROUD RED (18)	1	
10-2		BOLT M6x20L	4	
10-3		U-TYPE SPRING NUT	2	
10-4		BOLT M6x20L	2	
39-9-1	1906217	SIDE PROTECTION	2	
	1906218	PVC RIVET ,M6.5 5 (NOT DEPICTED)	4	
5	1910176	RUBBER FOOT PROTECTION R	1,00	
6	1910175	RUBBER FOOT PROTECTION L	1,00	
7	1912207	M6 PVC SCREW	8	



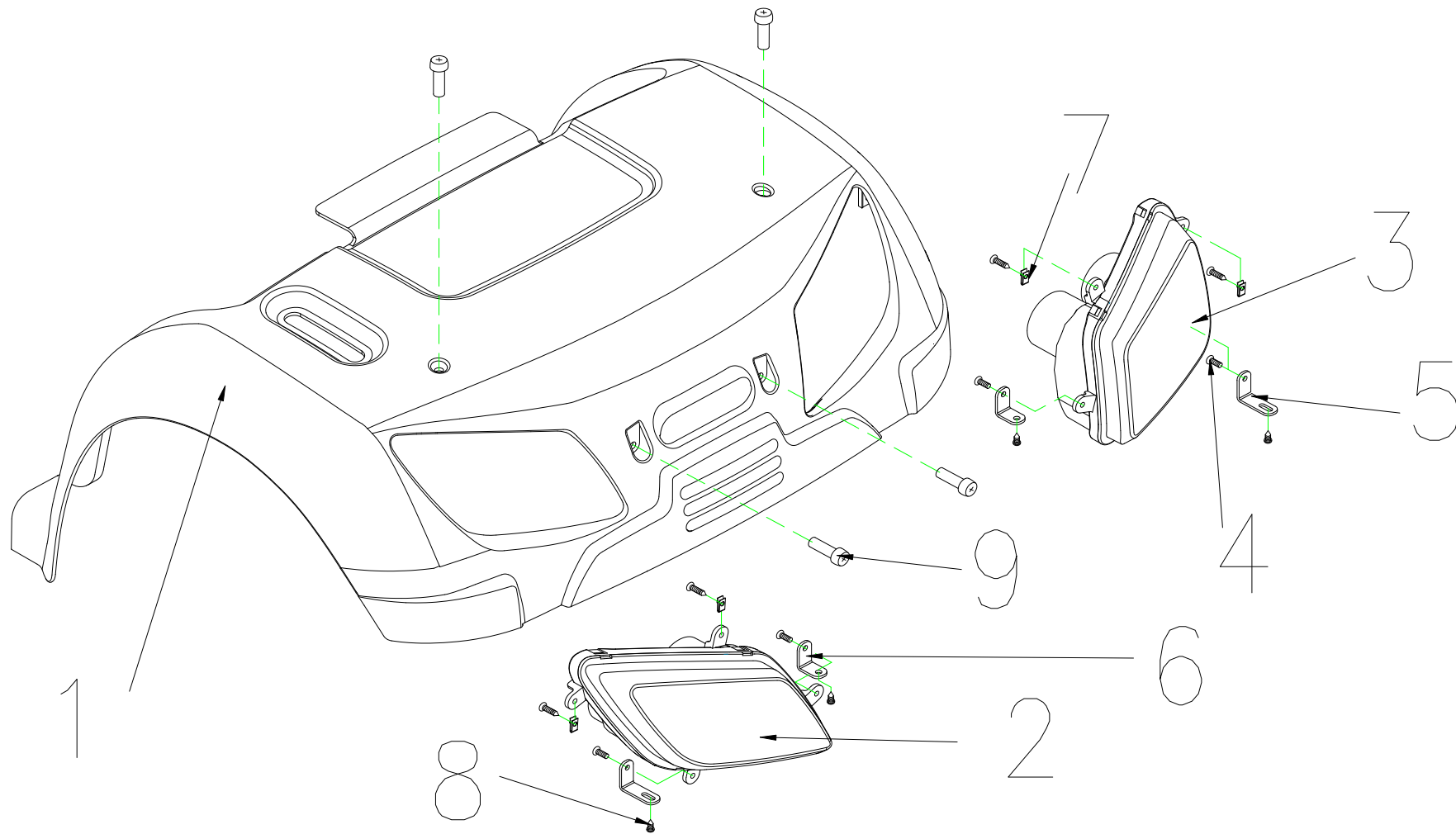
11.FRONT SHROUD ASS'Y

Fig&Index NO.	Parts No.	Description	QTY.	Remark
11	1905329	FRONT SHROUD ASS'Y CHAMPAGNE	1 SET	
11-1	1904354	FRONT SHROUD,CHAMPAGNE	1	
11-1	1917165	FRONT SHROUD, GREY 77	1	

CARPO 4 IPB

11-1	1906639	FRONT SHROUD RED (18)	1	
11-1	1917370	FRONT SHROUD BLUE (54)	1	
11-2	1905198	RUBBER COVER , FRONT SHROUD	1	
11-3	1904261	FRONT SIGNAL LAMP , L	1	
11-4	1904262	FRONT SIGNAL LAMP , R	1	
11-5	1904274	FRONT SIGNAL LAMP BRACKET	4	
11-6	1905520	BOLT M4x12L	7	
11-7	1905521	BOLT M4x10L	4	
11-8	1904263	HEADLIGHT	1	
11-9	1904264	HEADLIGHT BRACKET	1	
11-10	1904265	HEADLIGHT ADJUSTING PLATE	1	
11-11			1	
11-12			1	
11-13			5	
11-14	1905556	WASHER , 8mm	4	
11-15	1905561	BOLT M4x10L(ED)	4	
11		FRONT SHROUD ASS'Y , BROWN	1 SET	
11-1	1908577	FRONT SHROUD,BROWN	1	

CARDO 4 TDD



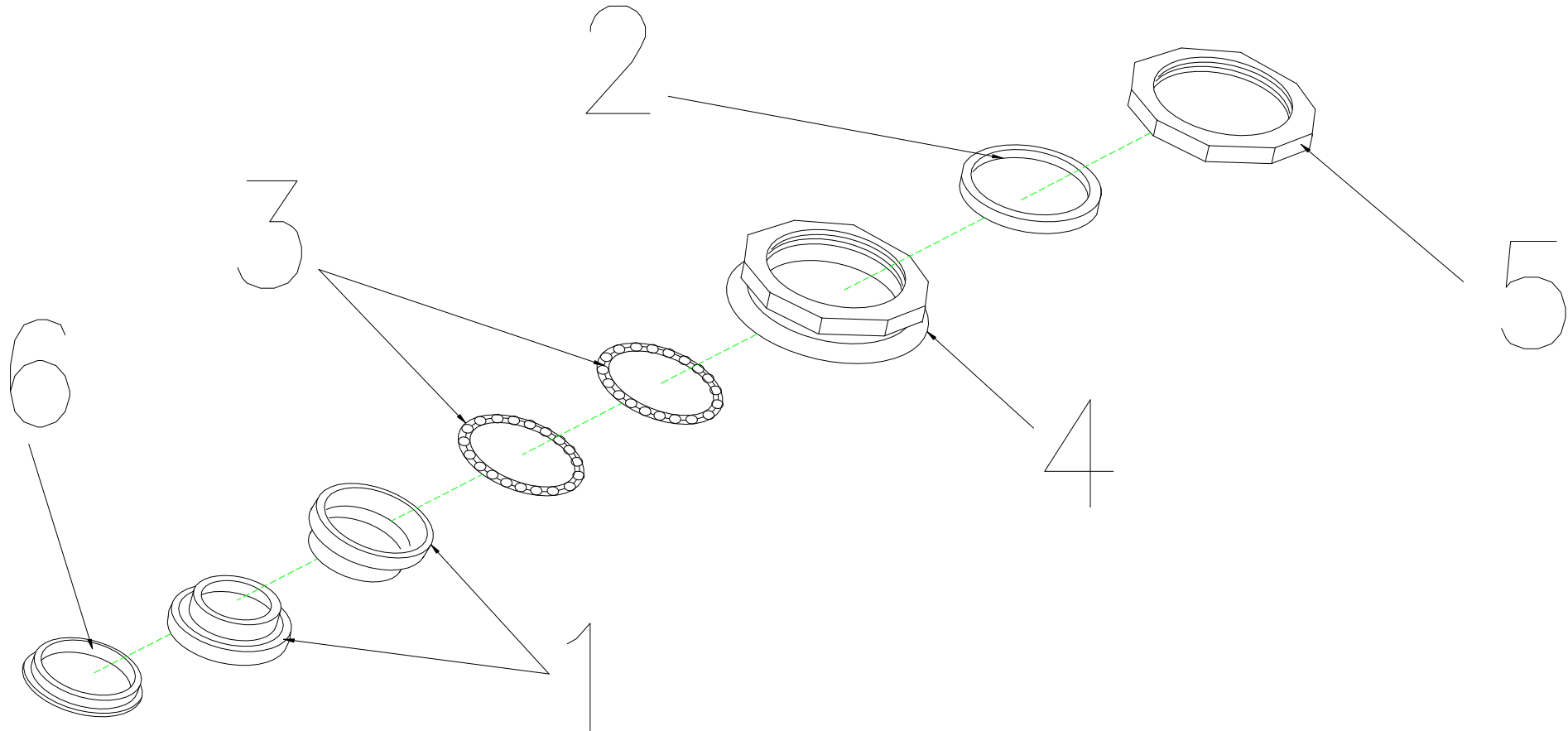
12. REAR SHROUD ASS'Y

Fig&Index NO.	Parts No.	Description	QTY.	Remark
12	1906204	REAR SHROUD ASS'Y, CHAMPAGNE	1 SET	
12-1	1904266	REAR SHROUD, CHAMPAGNE	1	
12-1	1917161	REAR SHROUD, GREY 77	1	

CARPO 4 IPB

12-2	1904268	REAR SIGNAL LAMP , L	1	
12-3	1904269	REAR SIGNAL LAMP , R	1	
12-4	1904269	BOLT M4x10L	4	
12-5	1908622	REAR SIGNAL LAMP BRACKET - LONG	4	
12-6	1908623	REAR SIGNAL LAMP BRACKET - SHORT	4	
12-7		U-TYPE SPRING NUT	4	
12-8		BOLT M4x12L	8	
12-9		BOLT M6x20L	4	
12	1909039	REAR SHROUD ASS'Y , BROWN	1 SET	
12-1	1908787	REAR SHROUD , BROWN	1	

CARPO 4 IPB



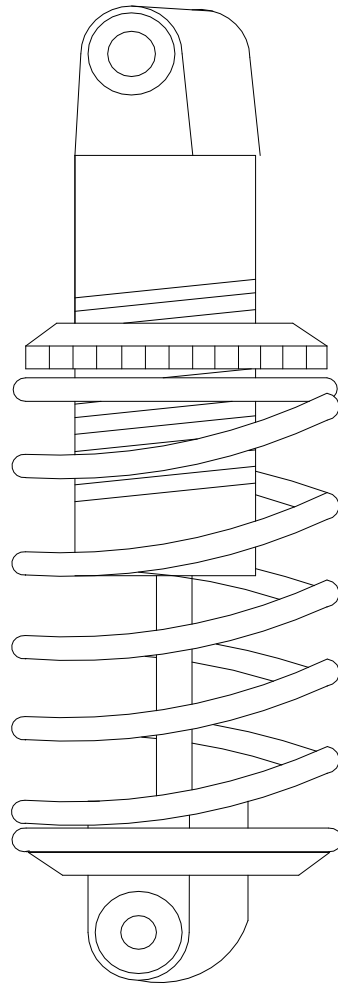
13.REGULAR BEARING BALL SET

Fig&Index NO.	Parts No.	Description	QTY.	Remark
13	1904315	REGULAR BEARING BALL SET	1 SET	
13-1		CUP , UPPER	2	
13-2		COLLARLESS WASHER	1	

CARPO 4 IPB

13-3		BEARING	2	
13-4		BEARING BUSH	1	
13-5	1909608	LOCKING NUT,BEARING	1	
13-6		BEARING CAGE	1	

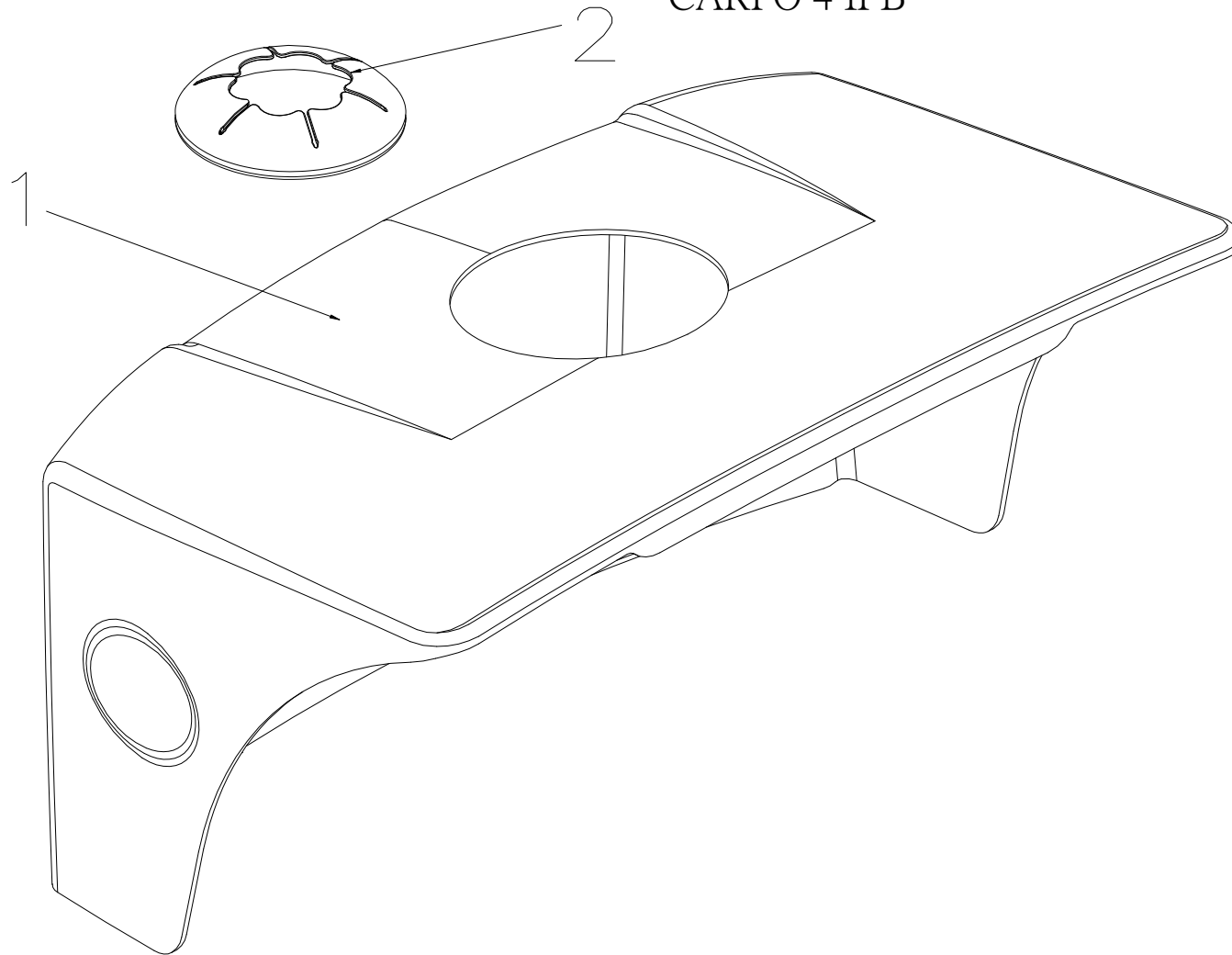
CARPO 4 IPB



14.ABSORBER,750LBS

Fig&Index NO.	Parts No.	Description	QTY.	Remark
14	1904225	ABSORBER , 750LBS	1	

CARPO 4 IPB

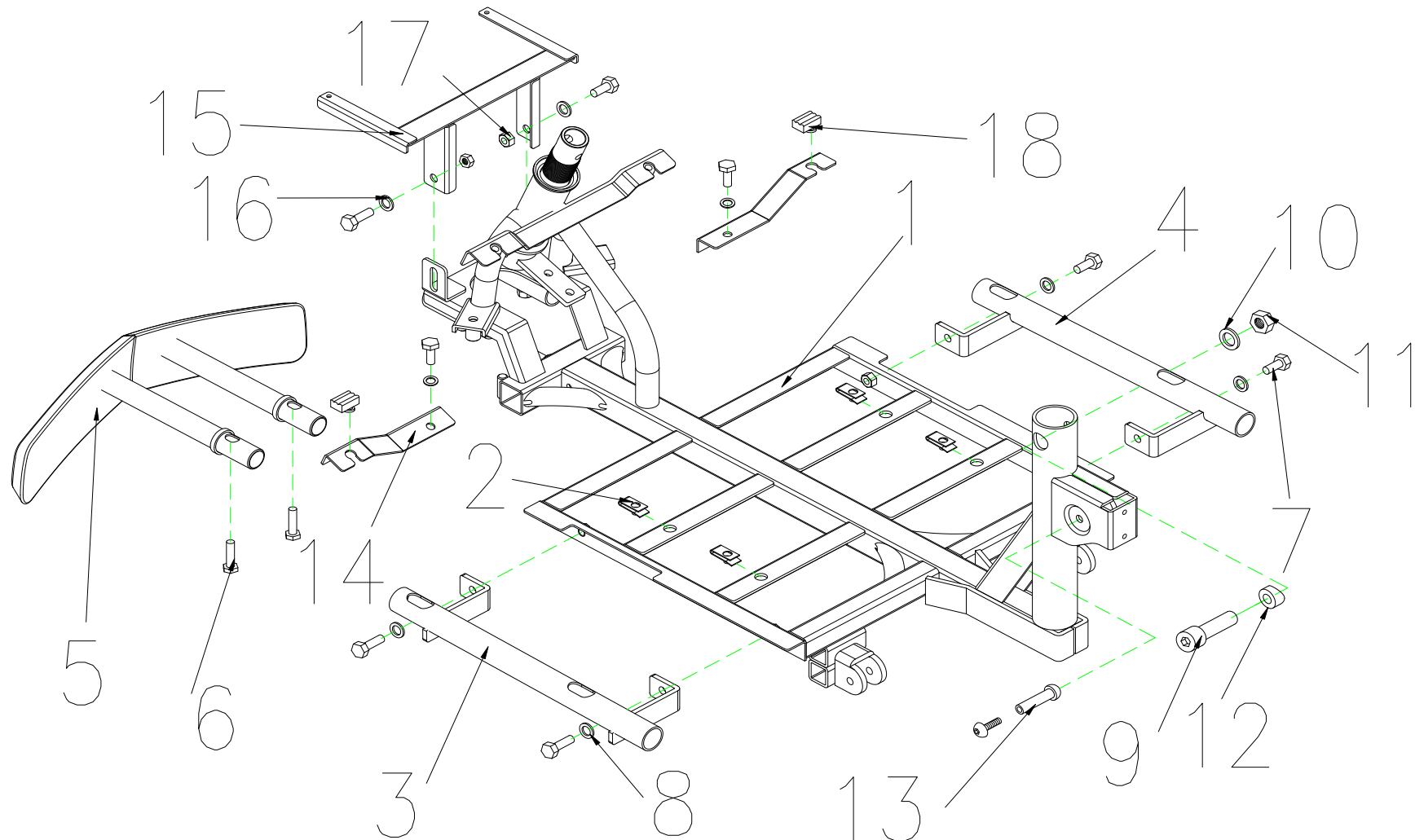


15.COVER ASS'Y , BATTERY

Fig&Index NO.	Parts No.	Description	QTY.	Remark
15		COVER ASS'Y , BATTERY , BLACK 61	1 SET	
15-1	1912476	COVER BATTERY , BLACK 61 ,	1	

CARPO 4 IPB

15-2	1904390	RUBBER COVER , REAR SHROUD	1	
------	---------	----------------------------	---	--

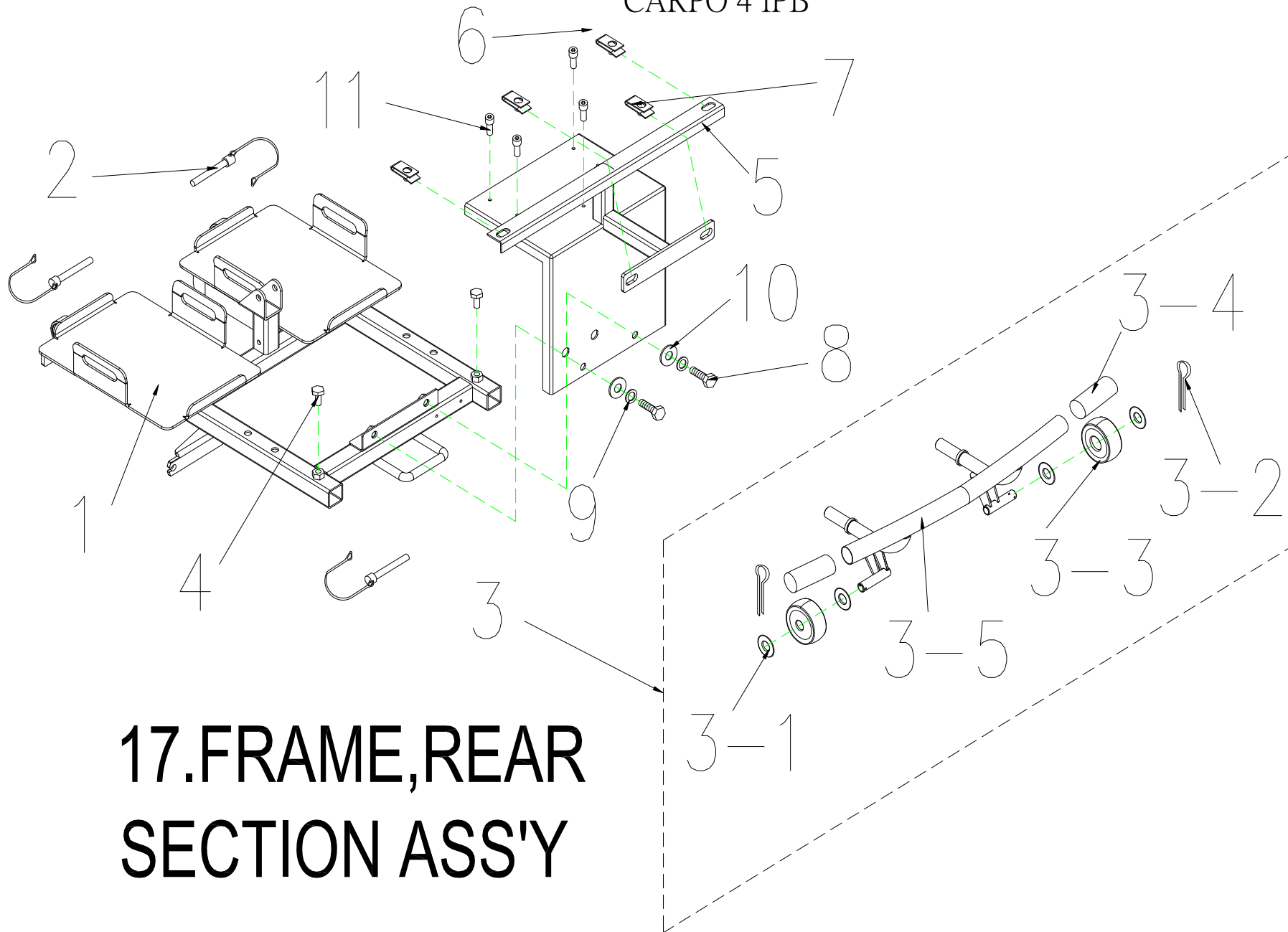


16.FRAME,FRONT SECTION ASS'Y

Fig&Index NO.	Parts No.	Description 第 29 頁 , 共 70 頁	QTY.	Remark
---------------	-----------	--------------------------------	------	--------

CARPO 4 IPB

16		FRAME,FRONT SECTION ASS'Y	1 SET	BEFORE P1144879 USE
16-1	1905063	FRAME,FRONT SECTION	1	
16-2		U-TYPE SPRING NUT	6	
16-3		HOLDER ,FOOTREST , L	1	
16-4		HOLDER ,FOOTREST , R	1	
16-5	1904816	FRONT BUMPER ASS'Y	1	
16-6		CR ROUND HD SCREW,M8x30L	2	
16-7		CR ROUND HD SCREW,M8x40L	8	
16-8		SPRING WASHER,5/16	8	
16-9		BOLT , M10X55L	1	
16-10		WASHER , M10	1	
16-11		LOCK NUT , M10XP1.5	1	
16-12		WASHER,ψ10Xψ19X3.5L	1	
16-13		HEX BOLT , M8xP1.25x30L	1	
16-14		HOLDER , MIDDLE SHROUD	1	
16-15	1907470	HOLDER , FRONT SHROUD	1	
16-16		WASHER WO22WI8.5T1.5mm	2	
16-17		LOCK NUT , M8XP1.25	2	
16-18		RUBBER DAMPER PAD	2	
16		FRAME,FRONT SECTION ASS'Y	1 SET	AFTER P1144880 USE
16-1		FRAME,FRONT SECTION	1	
16-2		U-TYPE SPRING NUT	6	
16-3		HOLDER ,FOOTREST , L	1	
16-4		HOLDER ,FOOTREST , R	1	
16-5		FRONT BUMPER ASS'Y	1	
16-6		CR ROUND HD SCREW,M8x30L	2	
16-7		CR ROUND HD SCREW,M8x40L	8	
16-8		SPRING WASHER,5/16	8	
16-9		BOLT , M10X55L	1	
16-10		WASHER , M10	1	
16-11		LOCK NUT , M10XP1.5	1	
16-12		WASHER,ψ10Xψ19X3.5L	1	
16-13		HEX BOLT , M8xP1.25x30L	1	
16-14		HOLDER , MIDDLE SHROUD	1	
16-15		HOLDER , FRONT SHROUD	1	
16-16		WASHER WO22WI8.5T1.5mm	2	
16-17		LOCK NUT , M8XP1.25	2	
16-18		RUBBER DAMPER PAD	2	

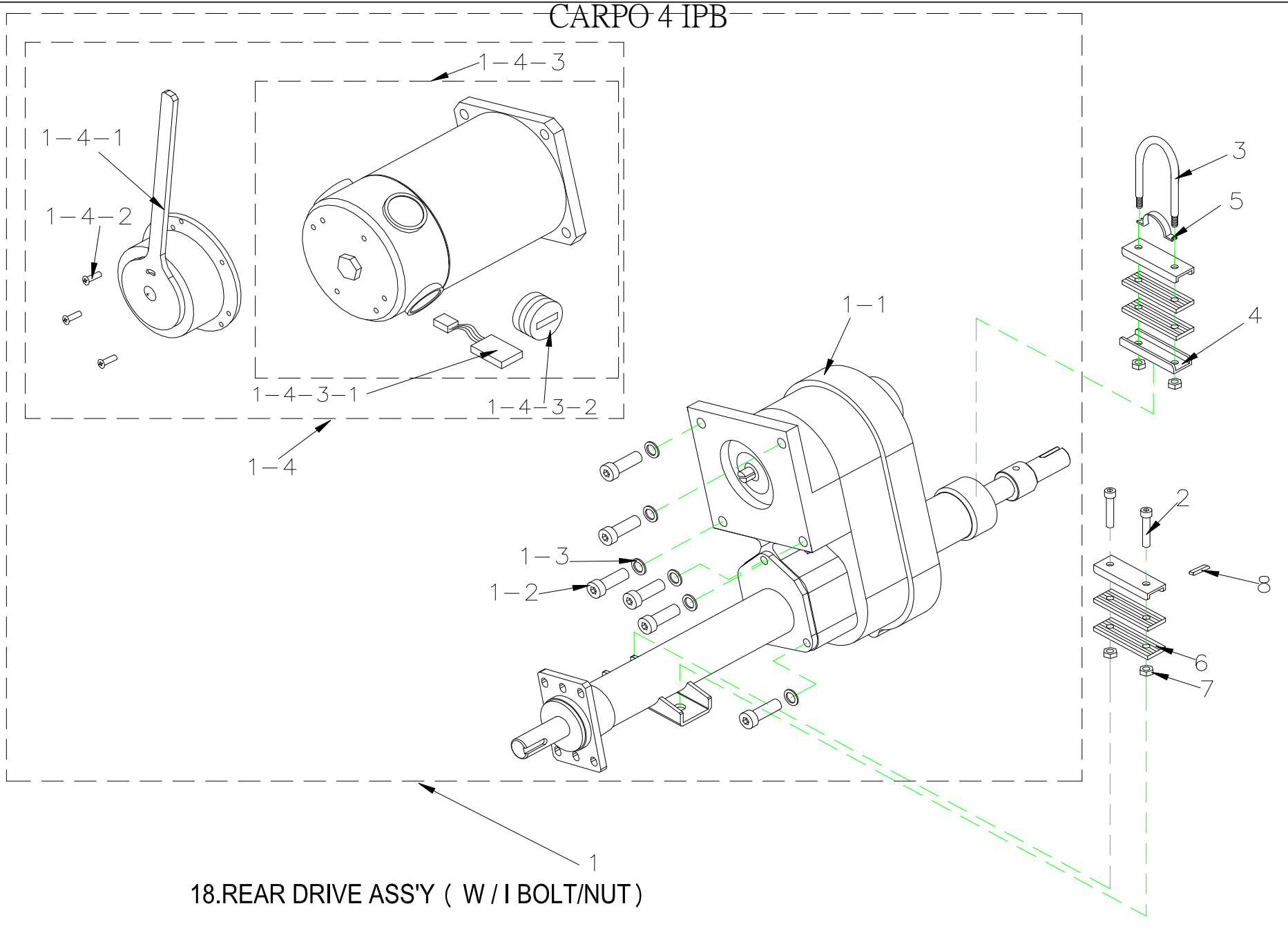


17.FRAME,REAR SECTION ASS'Y

CARPO 4 IPB

Fig&Index NO.	Parts No.	Description	QTY.	Remark
17		FRAME , REAR SECTION ASS'Y	1 SET	
17-1	1905559	FRAME , REAR SECTION	1	
17-2	1908632	LOCK PIN , Φ8x41L	3	
17-3	1906012	REAR BUMPER ASS'Y	1	
17-3-1	1911290	PLASTIC WASHERφ40xψ17.5x2T	4	
17-3-2		R TYPE PIN	2	
17-3-3	1905008	ANT-TIP WHEELS	2	
17-3-4	1909521	BUMPER,GRIP	2	
17-3-5	1905560	REAR BUMPER	1	
17-4		HEX FLANGE BOLT,M8x30L	2	
17-5	1909152	REAR BRACKET , W/I CONTROLLER HOLDER	1	
17-6		U-TYPE SPRING NUT	2	
17-7	1911840	U-TYPE SPRING NUT	2	
17-8		HEX FLANGE BOLT,M8x20L	2	
17-9		SPRIG WASHER 5/16	2	
17-10		WASHER 5/16	2	
17-11		BOLT M4x30L	3	
	F007859	METAL PLATE BATTERY TILT (not depicted)	2	
	3990677	RUBBER WASHER (not depicted)	4	

CARPO 4 IPB

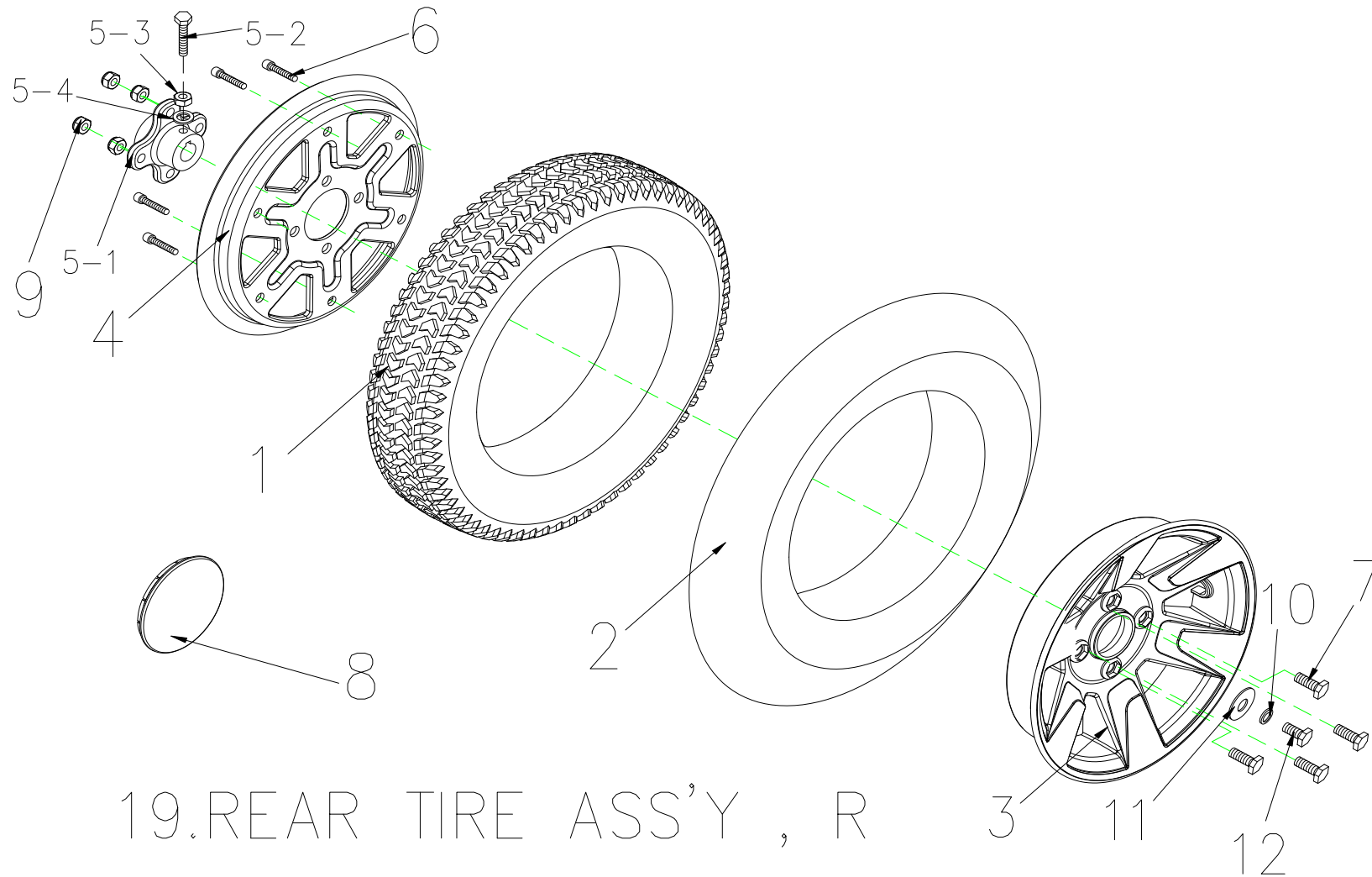


18.REAR DRIVE ASS'Y (W / I BOLT/NUT)

CARPO 4 IPB

Fig&Index NO.	Parts No.	Description	QTY.	Remark
18		REAR DRIVE ASS'Y (WITH BOLT / NUT) ,750W5500RPM20 : 1, RHINO 2 USE	1 SET	AFTER P118276 USE
18-1	1904830	REAR DRIVE ASS'Y (WITHOUT BOLT / NUT) , 750W5500RPM20 : 1,RHINO 2 USE	1	
18-1-1	1904271	TRANSAXLE ONLY (WITHOUT MOTOR) 1:20	1	
18	1904930	REAR DRIVE ASS'Y (WITH BOLT / NUT) ,750W5500RPM22 : 1, XD	1SET	
18-1		REAR DRIVE ASS'Y (WITHOUT BOLT / NUT) , 750W5500RPM22 : 1 XD	1	
18-1-1	1905024	TRANSAXLE ONLY (WITHOUT MOTOR)	1	
18-1-1-1		PIN,5x5x35	2	
18-1-2	1904271	BOLT , M8x20L	4	
18-1-3	1907794	SPRING WASHER , 5/16	4	
18-1-4	1908012	MOTOR (WITH BRAKE) ,750W5500RPM,RHINO 2 USE	1	
18-1-4-1	1905746	ELECTRO-MAGNETIC BRAKE , 100kgf-cm	1	
18-1-4-2		BOLT , M4x12	3	
18-1-4-3	1905022	MOTOR ONLY , 750W5500RPM	1	
18-1-4-3-1	1904275	CARBON BRUSH , 7x17mm	4	
18-1-4-3-2	1904276	CARBON BRUSH CAP , 7x17mm	4	
18-2	1910810	BOLT,M8x50	2	
18-3	1910809	U-TYPE BOLT , M8x1.25x98Hx15mm	1	
18-4	1910808	U-TYPE PLATE , MOTOR	3	
18-5	1910811	ARCH TYPE PLATE , MOTOR	1	
18-6	1910812	RUBBER DAMPER PAD , MOTOR	4	
18-7		LOCK NUT, M8x1.25	4	

CARPO 4 IPB



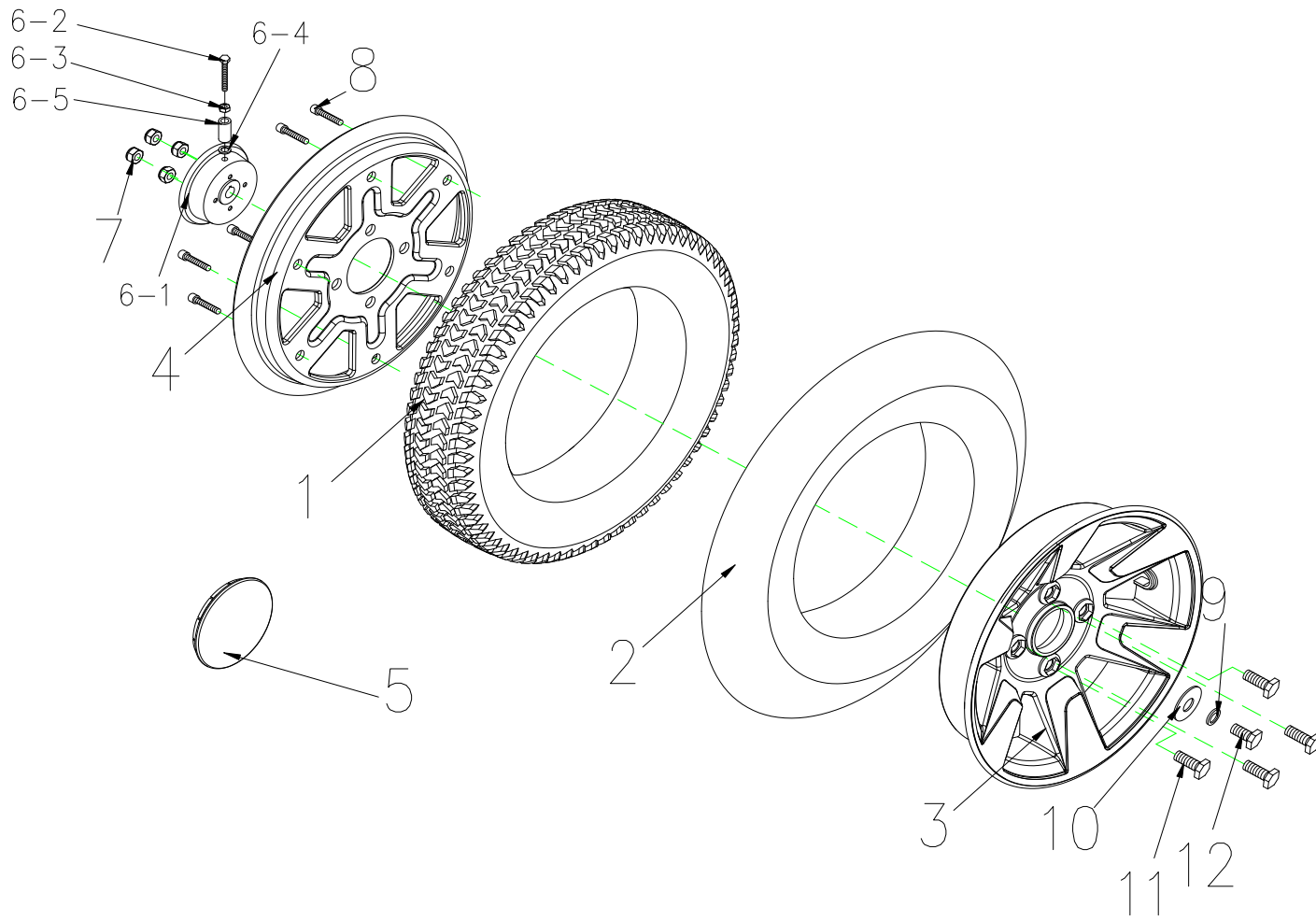
19. REAR TIRE ASS'Y , R

Fig&Index NO.	Parts No.	Description	QTY.	Remark
19	1908295	REAR TIRE ASS'Y , BLACK , R	1 SET	
19-1	1904287	TIRE , BLACK , 3.0-8C248-16	1	

CARPO 4 IPB

19-2	1904286	INNER TUBE , 3.0-8	1	
19-3	1908462	WHEEL RIM , ALUNINUM , 8"	1	
19-4	1908461	WHEEL RIM , IRON , 8"	1	
19-5		AXLE COLLAR,REAR WHEEL , ASS'Y	1	
19-5-1	1905203	AXLE COLLAR,REAR WHEEL	1	
19-5-2		BOLT M8X20L	1	
19-5-3		NUT M8X13	1	
19-5-4		SPRING WASHER	1	
19-6		BOLT M6x30L	6	
19-7		HEXAGONAL BOLT M8x1.25x25L	4	
19-8	1909516	WHEEL COVER	1	
19-9		LOCK NUT , M8x1.25	4	
19-10	1907794	SPRING WASHER , 5/16	1	
19-11	1906451	WASHER , 5/16	1	
----	1912044	SPEED SENSOR MAGNET		
19-12	1907793	HEXAGONAL BOLT M8x1.25x20L	1	

CARPO 4 IPB



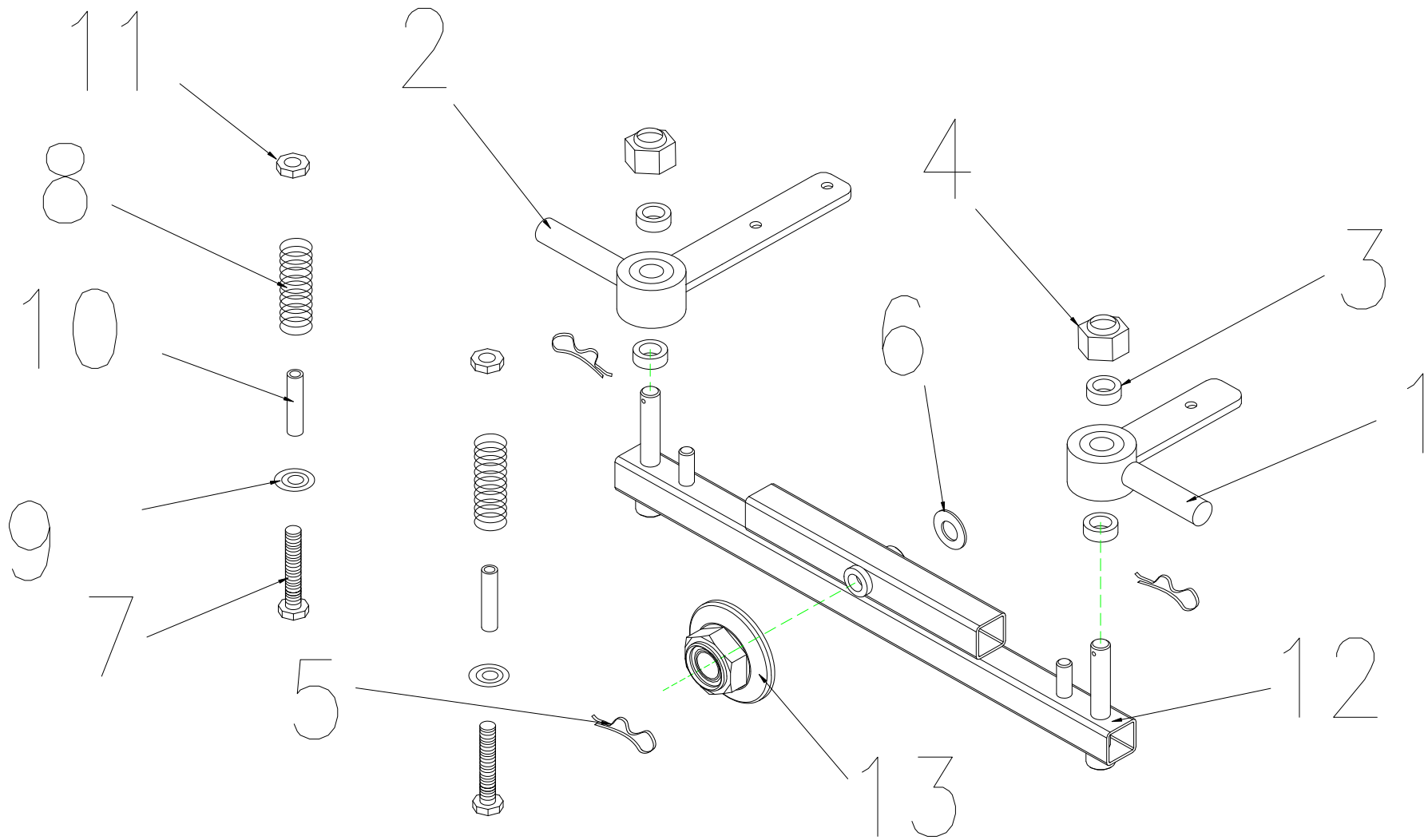
20.REAR TIRE ASS'Y , L

Fig&Index NO.	Parts No.	Description	QTY.	Remark
20	1908296	REAR TIRE ASS'Y,BLACK, L	1 SET	
20-1	1904287	TIRE , BLACK , 3.0-8C248-16	1	

CARPO 4 IPB

20-2	1904286	INNER TUBE , 3.0-8	1	
20-3	1908462	WHEEL RIM , ALUNINUM , 8"	1	
20-4	1908461	WHEEL RIM , IRON , 8"	1	
20-5	1909516	WHEEL COVER	1	
20-6		WHEEL RIM , STEEL , ASS'Y	1	
20-6-1	1906570	WHEEL RIM , STEEL	1	
20-6-2		BOLT M8X65L	1	
20-6-3		NUT M8X13	1	
20-6-4		SPRING WASHER	1	
20-6-5		AXLE COLLAR,REAR WHEEL	1	
20-7		LOCK NUT , M8x1.25	4	
20-8		BOLT M6x30L	6	
20-9	1907794	SPRING WASHER , 5/16	1	
20-10	1906451	WASHER , 5/16	1	
20-11		BOLT , M8x20L	4	
20-12		BOLT , M8x20L	1	

CARPO 4 IPB

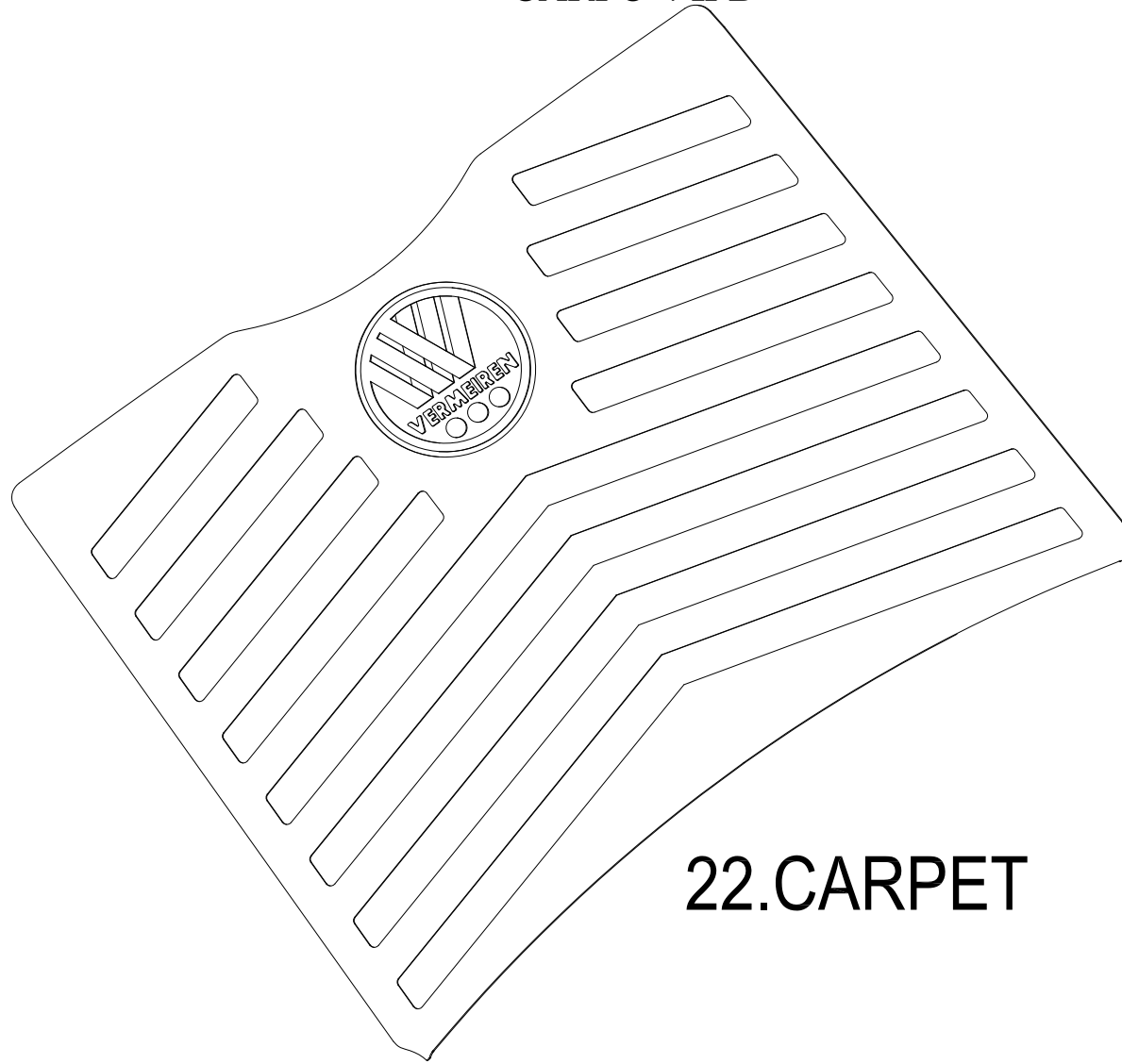


21.FRONT FORK ASS'Y

CARPO 4 IPB

Fig&Index NO.	Parts No.	Description	QTY.	Remark
21	1906901	FRONT FORK ASS'Y	1 SET	AFTER P1144880 USE
21-1	1904351	STEERING AXLE , L , W/I BEARING 6001ZZ	1	
21-2	1904352	STEERING AXLE , R , W/I BEARING 6001ZZ	1	
21-3	1905330	SPACER, 20x12xT5	4	
21-4	1001684	LOCK NUT , M12	2	
21-5	1909498	R TYPE PIN	3	
21-6		WASHER , 1/2	1	
21-7	1908283	FLANGE BOLT , M8x90	2	
21-8	1904403	SPRING	2	
21-9	1908284	SPRING WASHER	2	
21-10	1908285	SPACER , $\psi 14 \times \psi 8.5 \times 40L$	2	
21-11	1905469	LOCK NUT, M8x1.25	2	
21-12	1904353	FRONT FORK	1	
21-13		NUT , M12xP1.25	1	

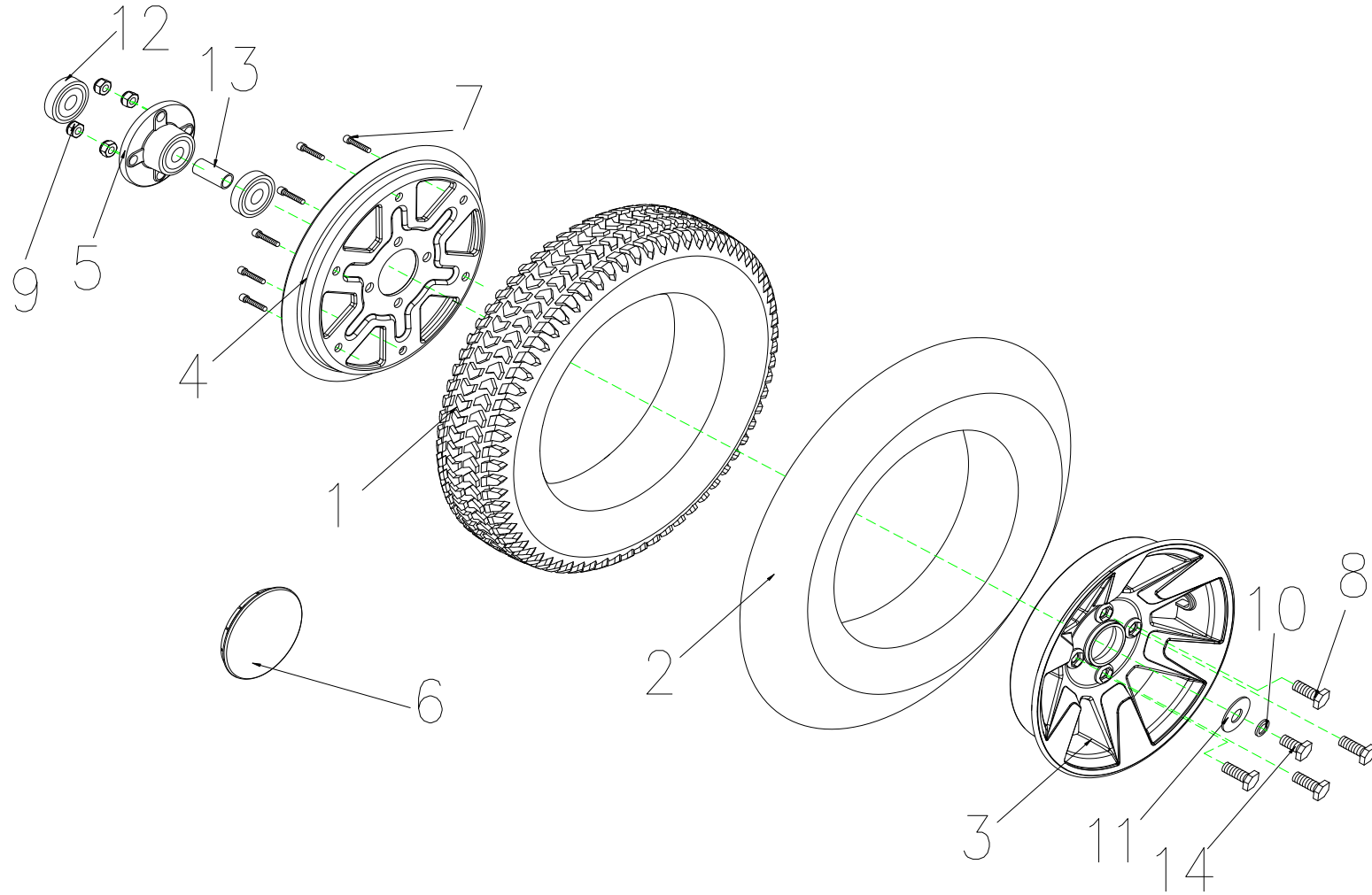
CARPO 4 IPB



22.CARPET

Fig&Index NO.	Parts No.	Description	QTY.	Remark
22	1909971	CARPET , RUBBER,	1	

CARPO 4 IPB



23.FRONT TIRE ASS'Y

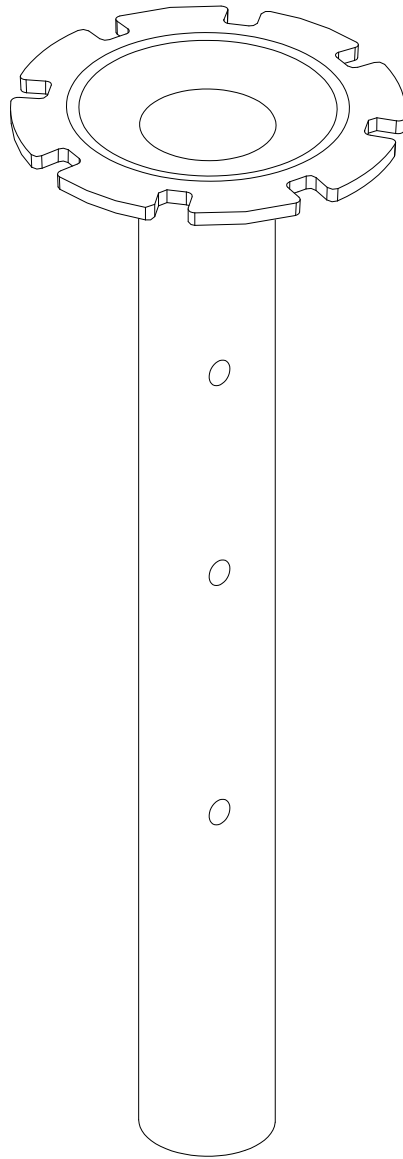
Fig&Index NO.	Parts No.	Description	QTY.	Remark
23	1908294	FRONT TIRE ASS'Y 3.0-8C248 BLACK	1 SET	
23-1	1904282	TIRE , 3.0-8C248 BLACK	1	

CARPO 4 IPB

23-2	1904286	INNER TUBE 3.0-8	1	
23-3	1908462	WHEEL RIM , ALUNINUM , 8"	1	
23-4	1908461	WHEEL RIM , IRON , 8"	1	
23-5	1905467	AXLE COLLAR,FRONT WHEEL	1	
23-6	1905557	COVER , WHEEL RIM	1	
23-7		BOLT M6x30L	6	
23-8	1905468	HEXAGONAL BOLT M8x1.25x25L	4	
23-9	1905469	LOCK NUT,M8x1.25	4	
23-10	1906451	SPRING WASHER , 5/16	1	
23-11		WASHER	1	
23-12		BEARING , 6202ZZ	2	
23-13		SPACER	1	
23-14		BOLT , M8x20L	1	

鎖付鋁/鐵圈

CARPO 4 IPB



24. SEAT POST

CARPO 4 IPB

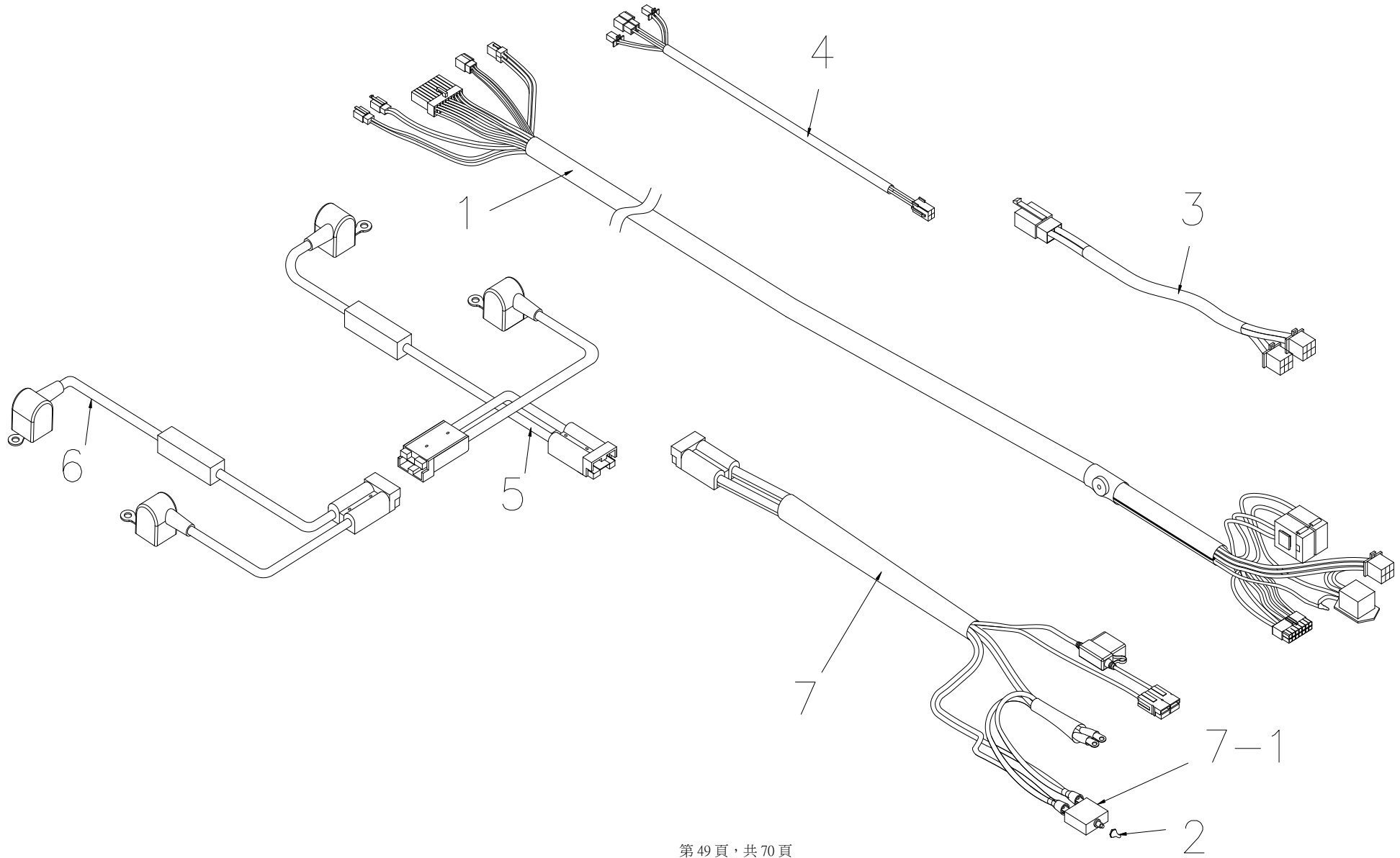
--

Fig&Index NO.	Parts No.	Description	QTY.	Remark
24	1904313	SEAT POST	1	

CARPO 4 IPB

CARPO 4 IPB

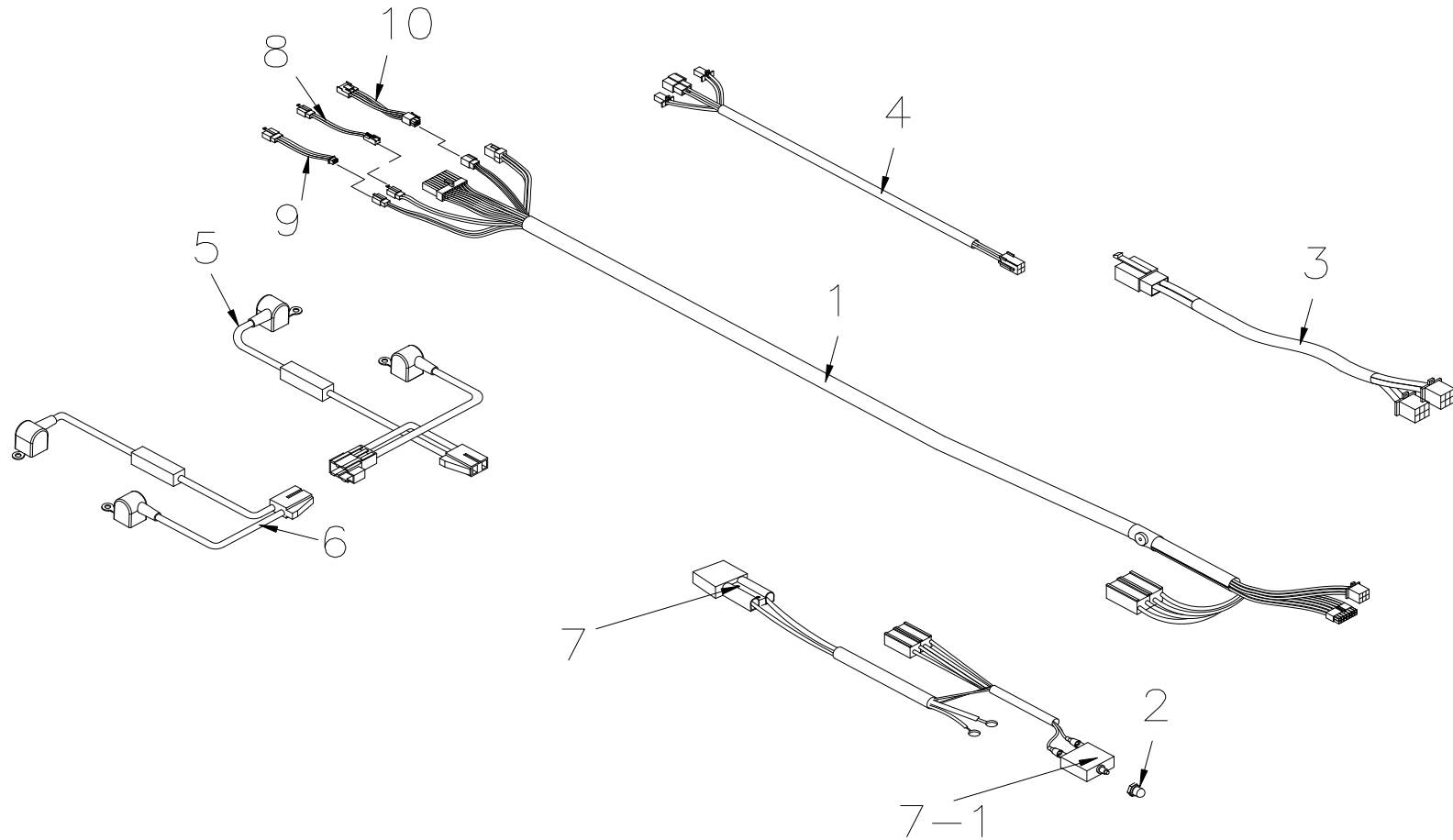
CARPO 4 IPB



25. WIRE HARNESS ASS'Y

Fig&Index NO.	Parts No.	Description	QTY.	Remark
25		WIRE HARNESS ASS'Y FOR RHINO2 160A (SINGEL CABLE)	1 SET	AFTER P USE
25-1	1909885	WIRE HARNESS , DECAL (SINGEL CABLE)	1	
25-2	1911591	PLUG , BREAKER	1	
25-3	1908273	CABLE UNIT , REAR SHROUD	1	
25-4	1904308	WIRE HARNESS FOR SIGNAL LIGHT	1	
25-5	1908274	BATTERY CABLE , W/I FUSE	1	
25-6	1908275	BATTERY CABLE , W/I FUSE	1	
25-7	1909885	POWER CABLE , W/I BREAKER	2	
25-7-1	1908239	BREAKER , 70A	1,00	

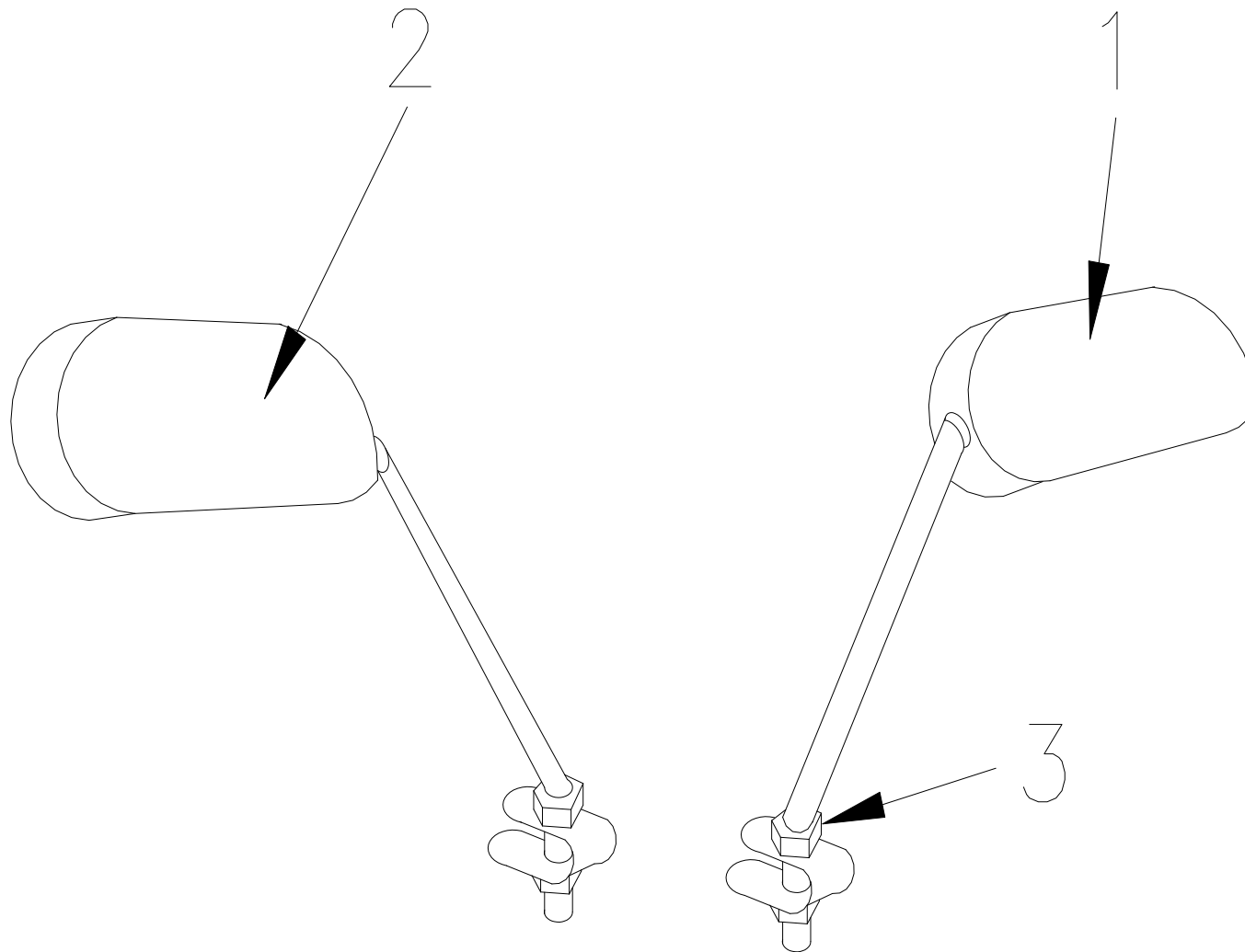
CARPO 4 IPB



25. WIN^R HARNESS ASS'Y

CARPO 4 IPB

Fig&Index NO.	Parts No.	Description	QTY.	Remark
25		WIRE HARNESS ASS'Y FOR RHINO 2 160A /LCD /Single cable	1 SET	AFTER P USE
25-1	1909868	WIRE HARNESS , DECAL (Single cable)	1	AFTER P146800 USE
25-2	1907627	PLUG , BREAKER	1	
25-3	1908273	CABLE UNIT , REAR SHROUD	1	
25-4	1904308	WIRE HARNESS FOR SIGNAL LIGHT	1	
25-5	1908274	BATTERY CABLE , W/I FUSE	1	
25-6	1908275	BATTERY CABLE , W/I FUSE	1	
25-7	1909885	POWER CABLE , W/I BREAKER	2	
25-8	NVT	IGNITION SWIITCH , ADAPTER	1	
25-9	NVT	SPEED LEVER , ADAPTER	1	
25-10	NVT	FRONT SIGNAL LAMP , ADAPTER	1	
25-7-1	1908239	BREAKER , 70A	1,00	

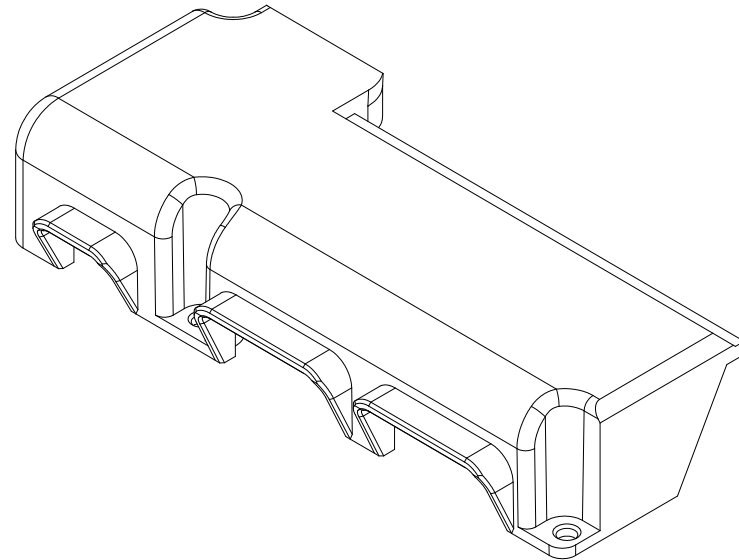


26. MIRROR ASS'Y

CARPO 4 IPB

Fig&Index NO.	Parts No.	Description	QTY.	Remark
26		MIRROR COMP	1 SET	
26-1	1904228	MIRROR , R	1	
26-2	1904227	MIRROR , L	1	
26-3		NUT,M10x1.25	2	

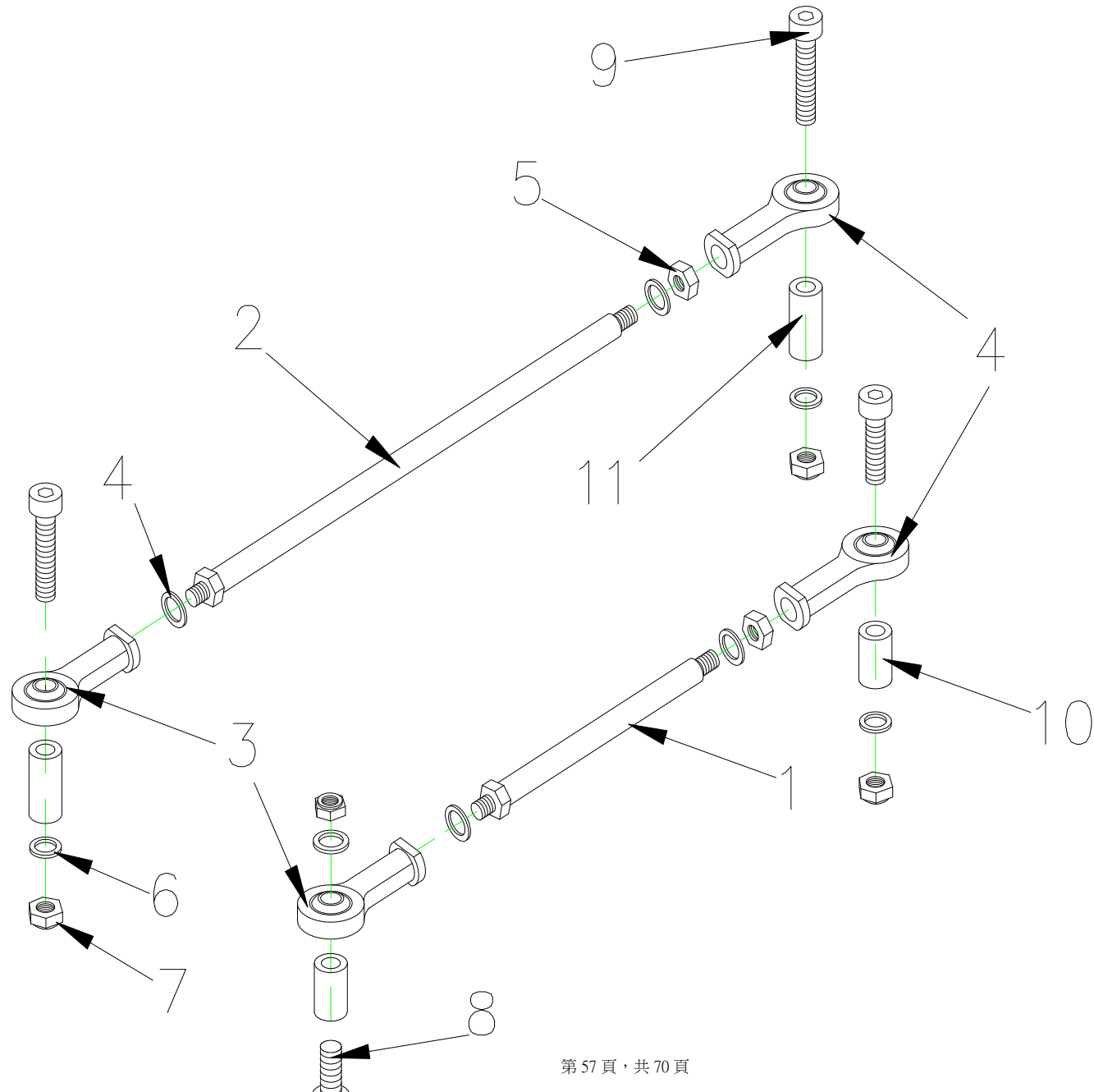
CARPO 4 IPB



27.COVER , CONTROLER, RHINO 2

Fig&Index NO.	Parts No.	Description	QTY.	Remark
27		COVER CONTROLER , RHINO 2	1	AFTER P118276 USE

CARPO 4 IPB

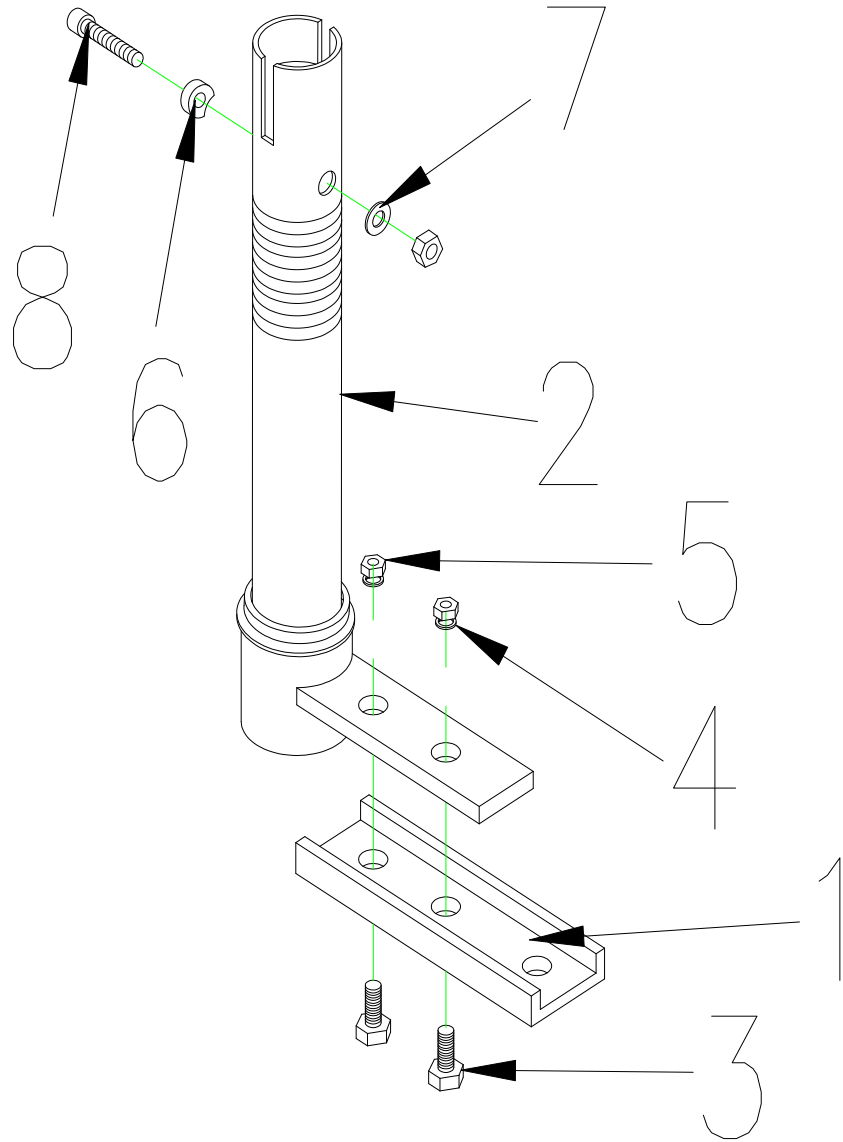


CARPO 4 IPB



28.CONNECTION ROD, GUIDING ASS'Y

Fig&Index NO.	Parts No.	Description	QTY.	Remark
28	1905333	CONNECTING ROD,FRONT FORK ASS'Y	1 SET	
28-1	1905331	CONNECTION ROD, GUIDING	1	
28-2	1905332	CONNECTION ROD, FRONT FORK	1	
28-3	1907507	BALL JIONT , RBL8 ,L	2	
28-4	1908748	BALL JIONT , RBL8 ,R	2	
28-5		NUT , M8	2	
28-6		SPRING WASHER , 5/16	4	
28-7		LOCKING NUT , M8	4	
28-8		BOLT M8x50L	2	
28-9		BOLT M8x1.25x65L(ED)	2	
28-10	1908086	SPACER, $\psi 14 \times \psi 10.5 \times 19L$	2	
28-11	1908085	SPACER , 9x32	2	
	1905331	ASS SHORT		

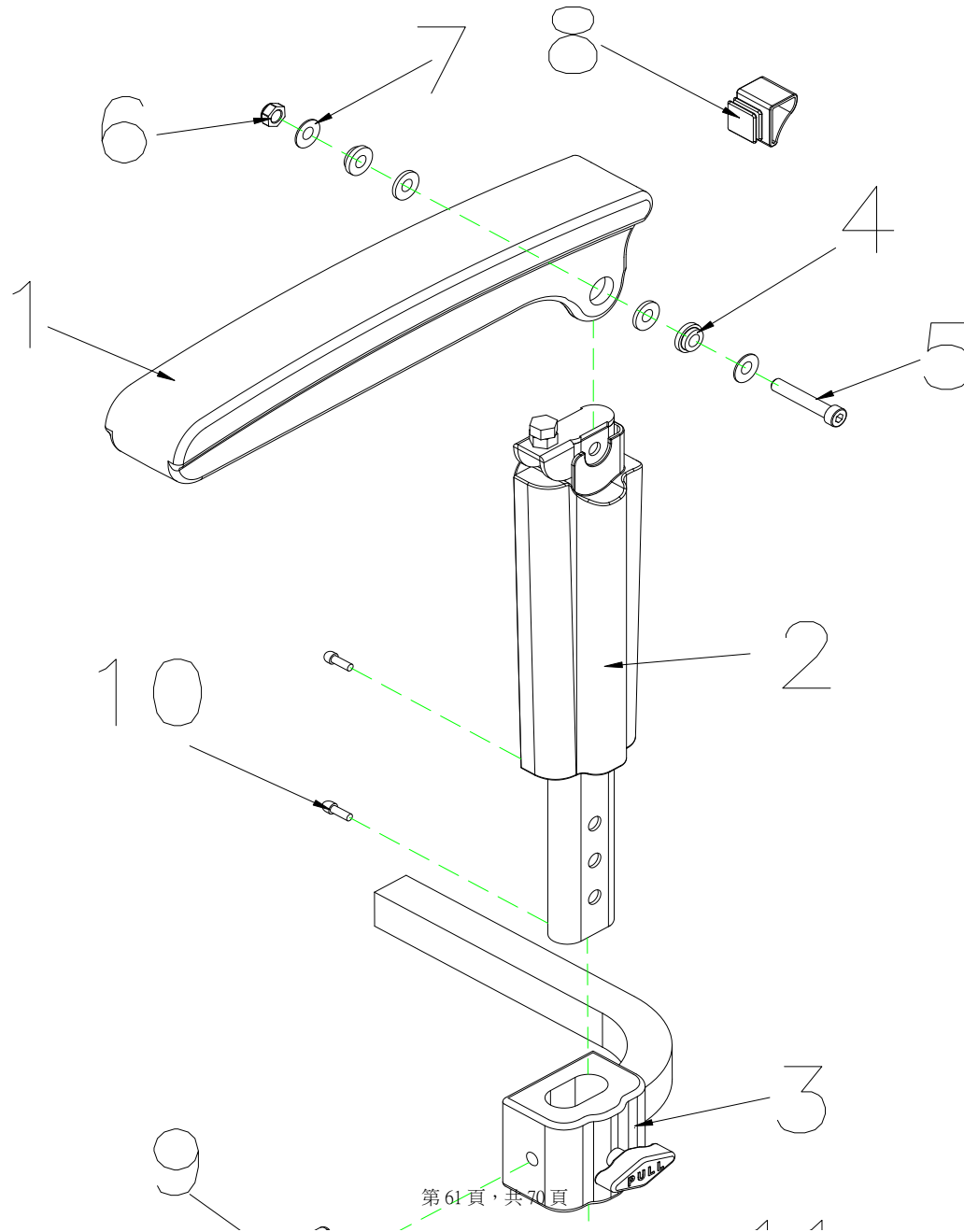


29.L TYPE STEERING AXLE ASS'Y

CARPO 4 IPB

Fig&Index NO.	Parts No.	Description	QTY.	Remark
29	1907609	L TYPE STEERING AXLE ASS'Y	1 SET	
29-1	1904455	STEERING ARM	1	
29-2		L TYPE STEERING AXLE ASS'Y	1	
29-3		BOLT,M8X20L	2	
29-4		WASHER,5/16	2	
29-5		LOCK NUT,M8X1.25	3	
29-6		WASHER	1	
29-7		WASHER , $\Phi 19 \times \Phi 8 \times 1.5T$	1	
29-8		BOLT , M8x40L	1	

CARPO 4 IPB



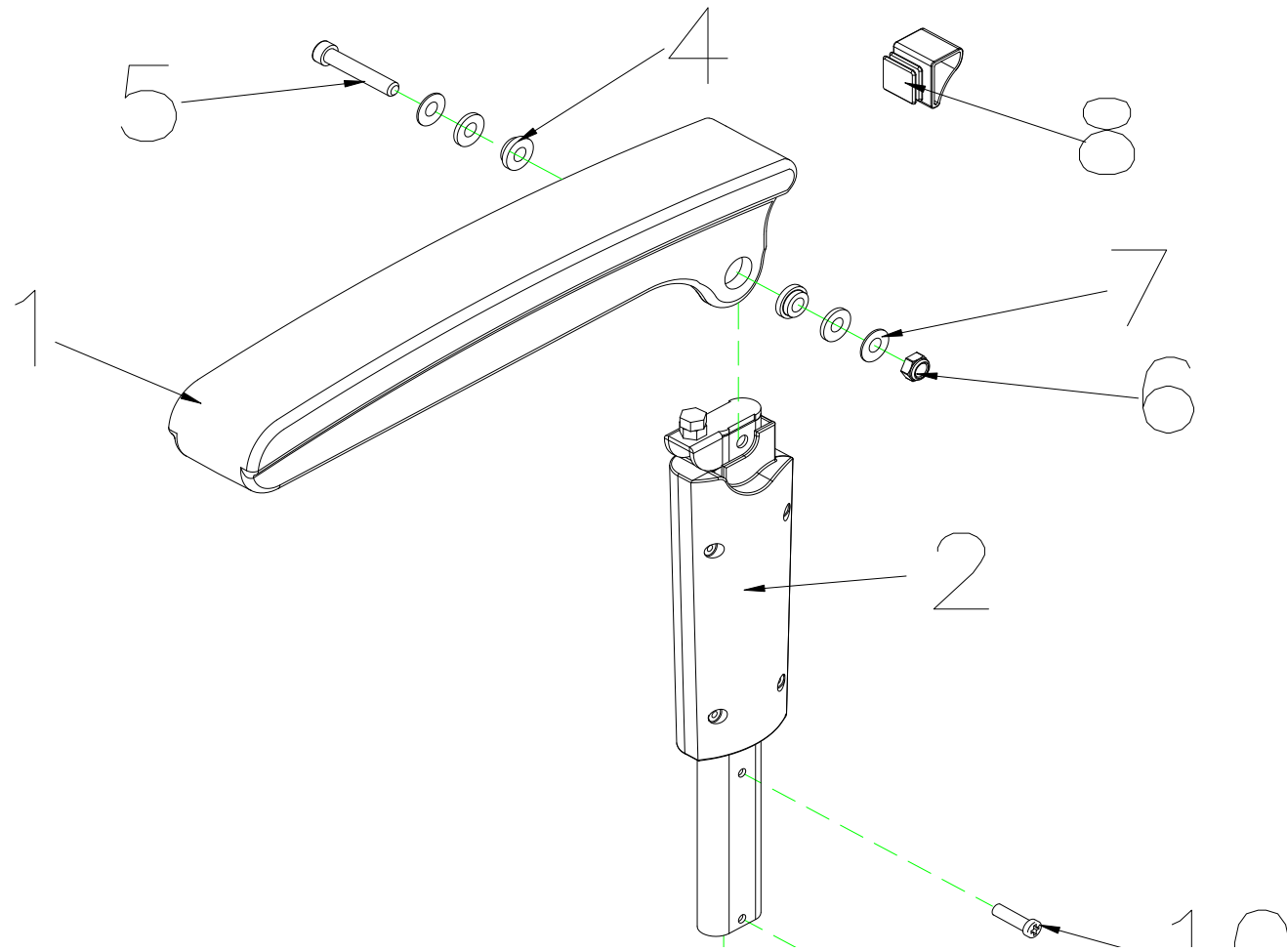
CARPO 4 IPB

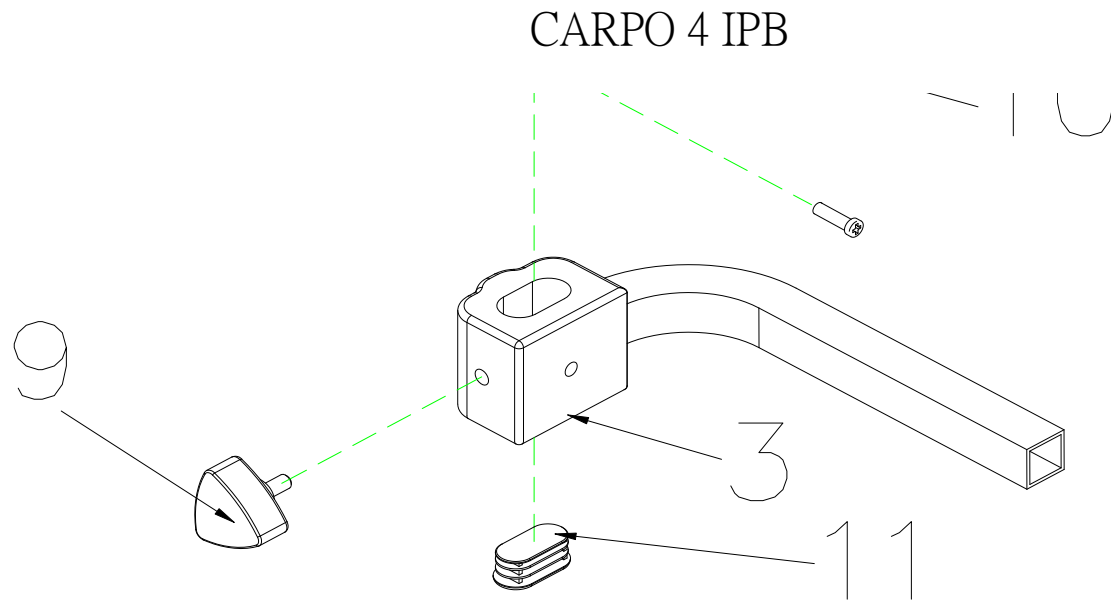


30. ARMREST ASS'Y , L

Fig&Index NO.	Parts No.	Description	QTY.	Remark
30	1904605	ARMREST , ADJUSTABLE , L , W/I COVER	1	
30-1		ARMREST , UPPER	1	
30-2	1904969	ARMREST ,LOWER, L	1	
30-3	1905936	ARMREST ADJUSTMENT BASE	1	
30-4		WASHER , 8mm	4	
30-5	1908423	HEXAGON BOLT , M8x55	1	
30-6		LOCK NUT , M8x1.25	1	
30-7	1908424	WASHER , M8	4	
30-8		PLUG	1	
30-9	1905612	BOLT,W/I KNOB , M8x20	1	
30-10		BOLT , M4X12	2	
30-11		PLUG-OB2040C	1	

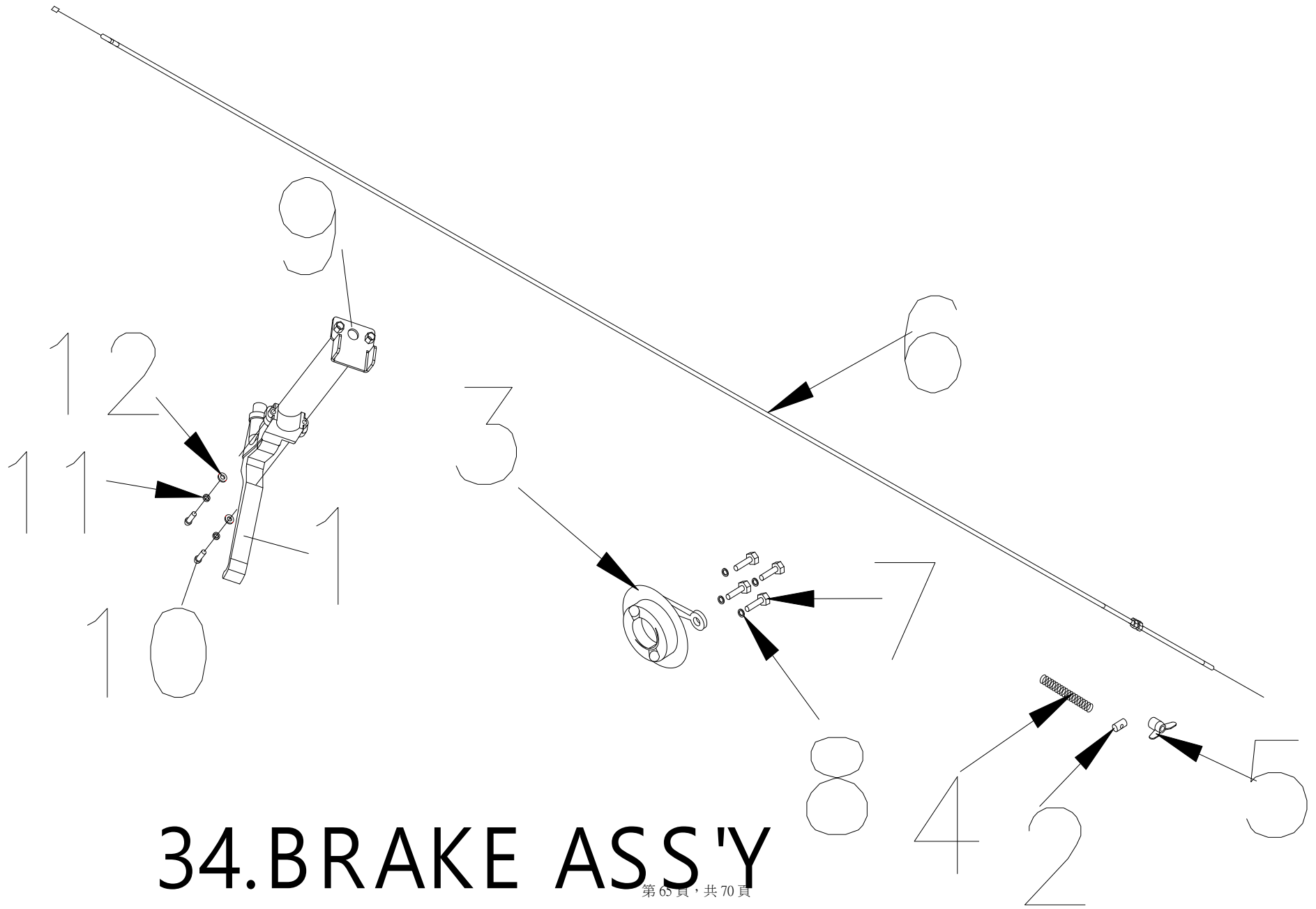
CARPO 4 IPB





32. ARMREST ASS'Y , R

Fig&Index NO.	Parts No.	Description	QTY.	Remark
32	1904414	ARMREST , ADJUSTABLE , R , W/I COVER	1	
32-1		ARMREST , UPPER	1	
32-2	1904970	ARMREST ,LOWER, R	1	
32-3		LOCK NUT , M8x1.25	1	
32-4		WASHER , 8mm	4	
32-5	1908423	HEXAGON BOLT , M8x55L	1	
32-6	1908424	LOCK NUT , M8x1.25	1	
32-7	1908425	WASHER , M8	4	
32-8		PLUG	1	
32-9	1905612	BOLT,W/I KNOB , M8x20	2	
32-10		BOLT , M4X12	2	
32-11		PLUG-OB2040C	1	

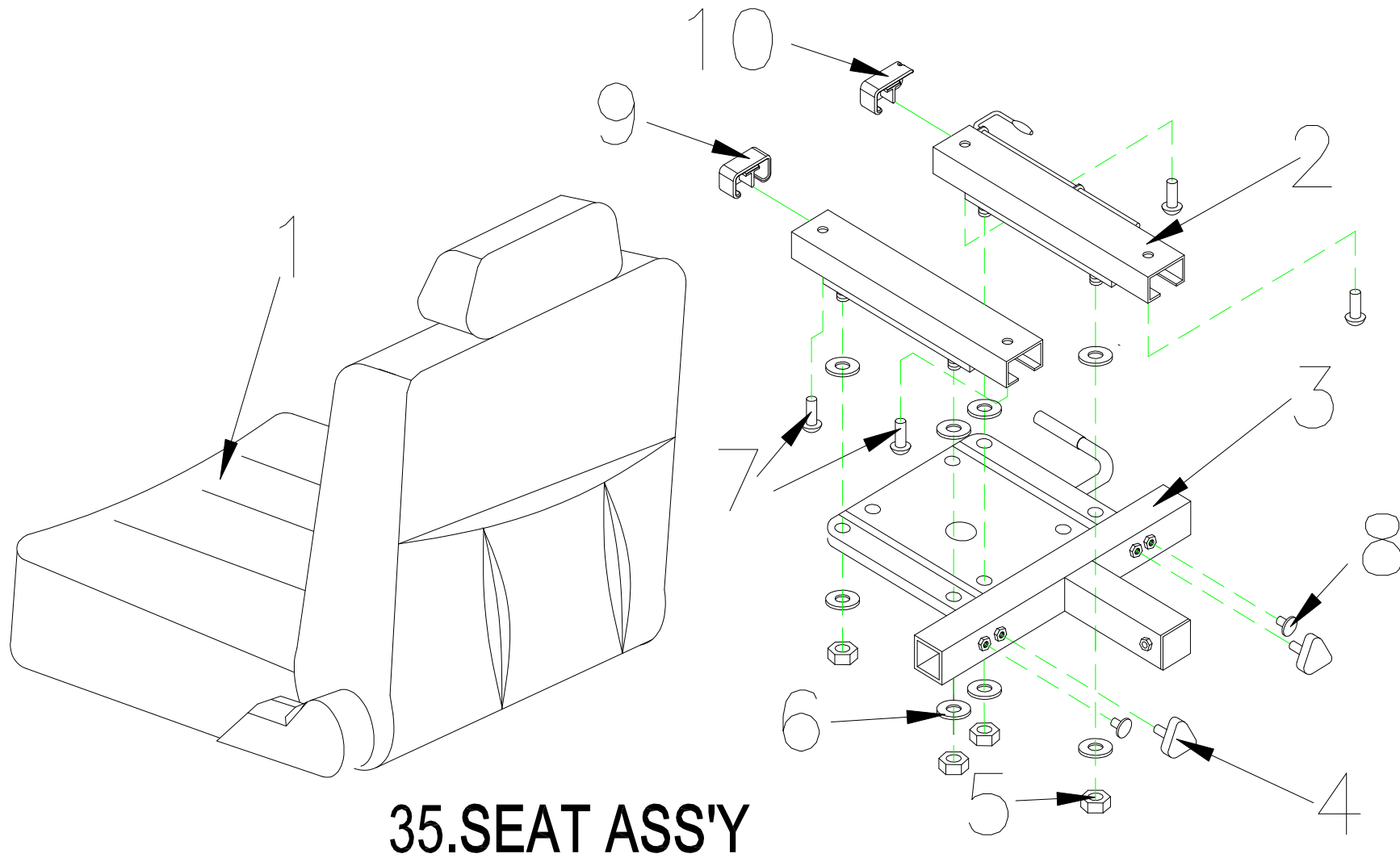


34. BRAKE ASS'Y

CARPO 4 IPB

Fig&Index NO.	Parts No.	Description	QTY.	Remark
34	1910783	BRAKE ASS'Y	1 SET	
34-1	1906303	LEVER , BRAKE	1	
34-2		PIN , BRAKE	1	
34-3	1905553	COVER BRAKE,REAR	1	
34-4		SPRING , BRAKE	1	
34-5		NUT , BRAKE	1	
34-6	1913023	CABLE , BRAKE	1	
34-7		BOLT , M6x10	4	
34-8		SPRING WASHER , M6	4	
34-9	1903950	HOLDER , BRAKE	1	
34-10		BOLT , M5x20L	2	
34-11		SPRING WASHER ,M5	2	
34-12		WASHER,M5	2	

CARPO 4 IPB



35.SEAT ASS'Y

Fig&Index NO.	Parts No.	Description 第 67 頁 , 共 70 頁	QTY.	Remark
---------------	-----------	-----------------------------	------	--------

CARPO 4 IPB

35	1904565	18"SEAT ASS'Y , TA-386C3	1 SET	
35-1	1905879	RECLINING SEAT,18X18X22", (TA386C3)	1	
35-2	1907265	SLIDER , 150mm	1 SET	
35-3		SEAT PLATE	1	
35-4	1905612	BOLT,W/I KNOB , M8x25	2	
35-5	1905469	LOCK NUT , M8x1.25	4	
35-6	1906451	WASHER , 5/16	8	
35-7	1907567	BOLT , M8x15L	4	
35-8	1907286	PLUG	2	
35-9	1907269	PLUG , SLIDER , L	1	
35-10	1907270	PLUG , SLIDER , R	1	
35-11		SPRING WASHER , M8	4	

CARPO 4 IPB

Fig&Index NO.	Parts No.	Description	QTY.	Remark
38		ACCESSORIES		
38-1		PLASTIC BASKET ASS'Y	1	
38-1-1		BASKET , PLACTIC	1	
38-1-2		BASKET HOLDER,PAINTED,UPPER	1	
38-1-3		BASKET HOLDER,PAINTED,LOWER	1	
38-1-4		BOLT M6X15L	4	
38-1-5		LOCK NUT , M6X1.0	4	
38-1-6		WASHER , OD=19/ID=7/T=1mm	4	
38-2		SPEED SENSOR ASS'Y	1	
38-2-1	1908761	SPEED SENSOR	1	
38-2-2		SPEED SENSOR , BRACKET	1	
38-32	1913856	BASKET , PLASTIC	1	

CARPO 4 IPB