

B02 / B03


Material			
No.	Plan	Article	Quantity
1	X003872	1901134	1
2	Y017946	1759204	1
3	M6 DIN125A	1000973	2
4	M6x20 ISO7380	1006999	2
5	M6x12 DIN986	1008492	2
6	M6x60 ISO7380	1992915	2

* Only left side depicted

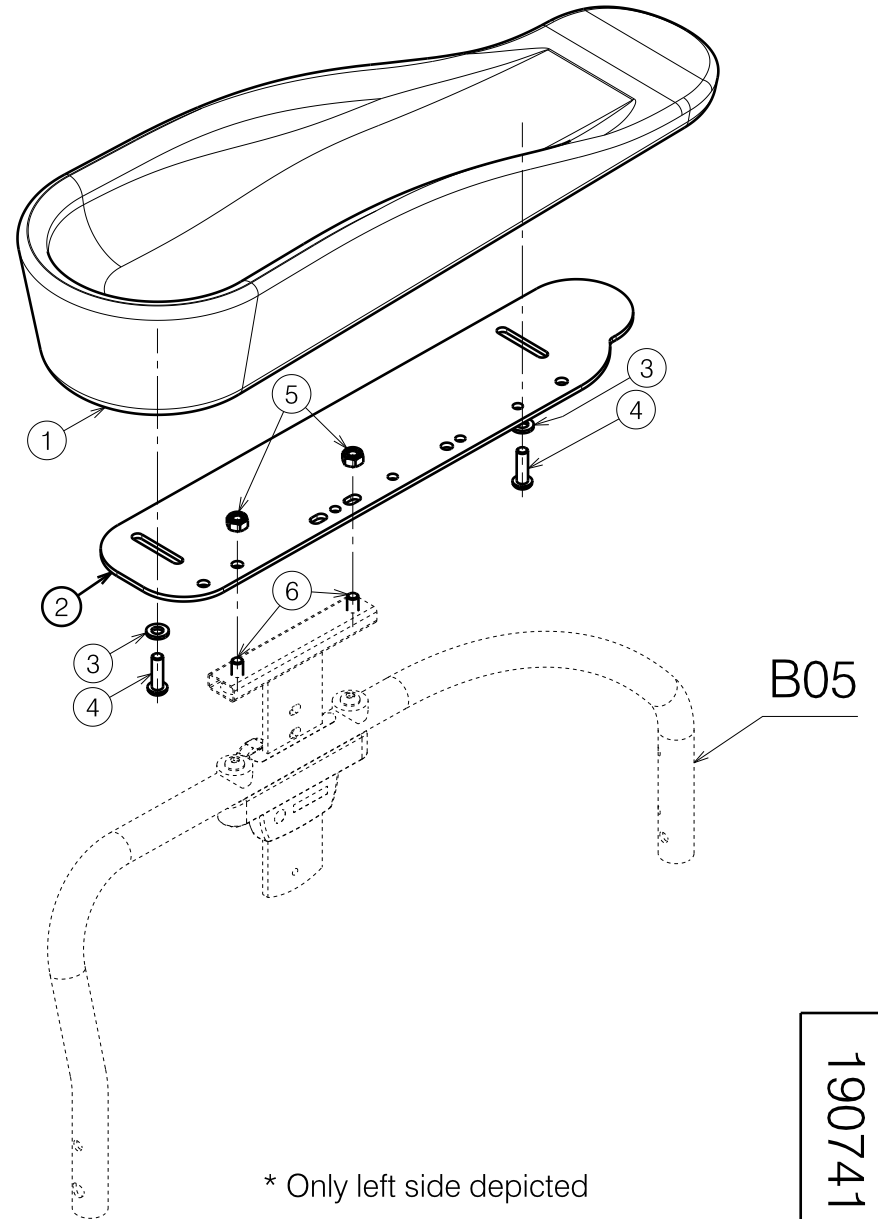
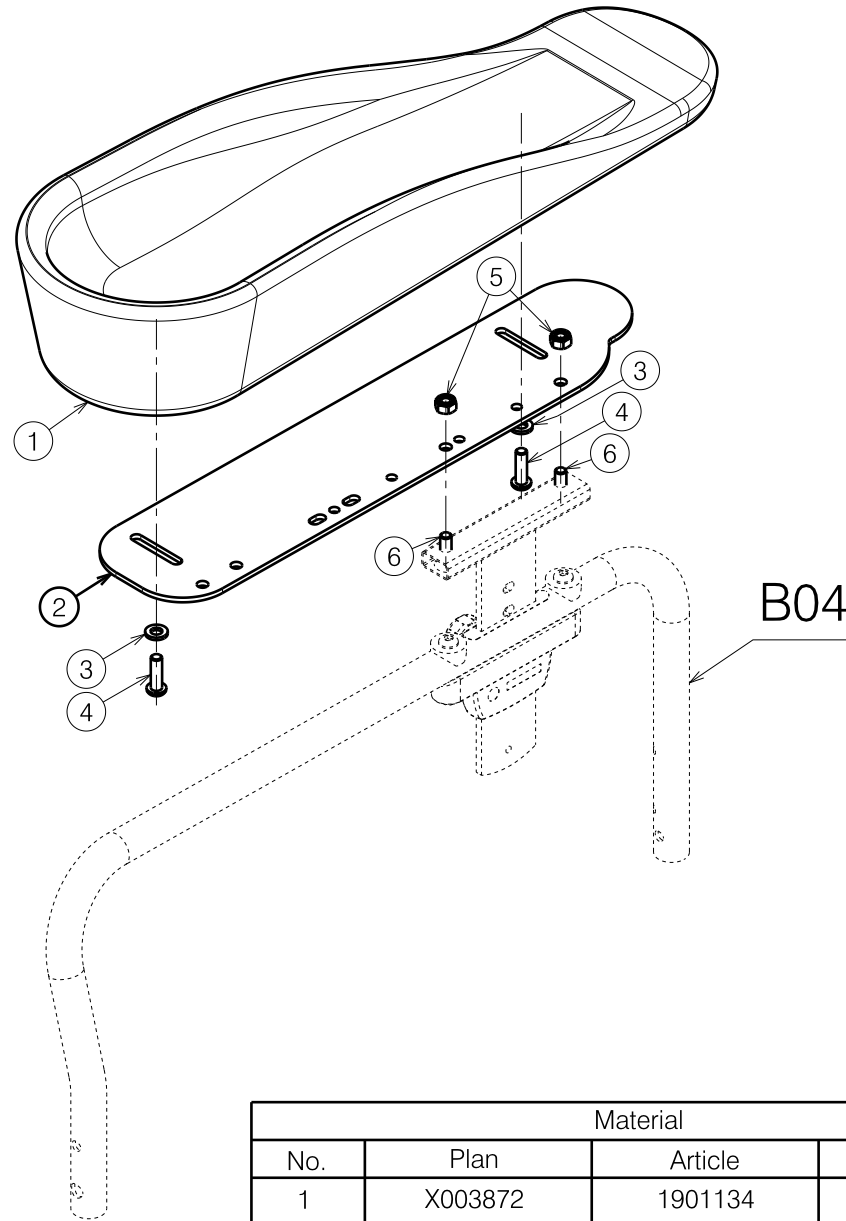
* Quantities are for one side

B66 TYPE V-SERIES FIXED			
SHEET 1/3		B02 - B03 ARMREST	
Scale: 1:3	Drafted	Verified	Confirmed
Date	19/07/2011	21/06/2021	21/06/2021
Initials	TT	TT	PJ

1907408	1907408
1907409	1907408

Plan No. E000739 / F


E000739 / F



Material			
No.	Plan	Article	Quantity
1	X003872	1901134	1
2	Y017946	1759204	1
3	M6 DIN125A	1000973	2
4	M6x20 ISO7380	1006999	2
5	M6 DIN985	1001680	2
6	M6x10 ISO7380	1900641	2

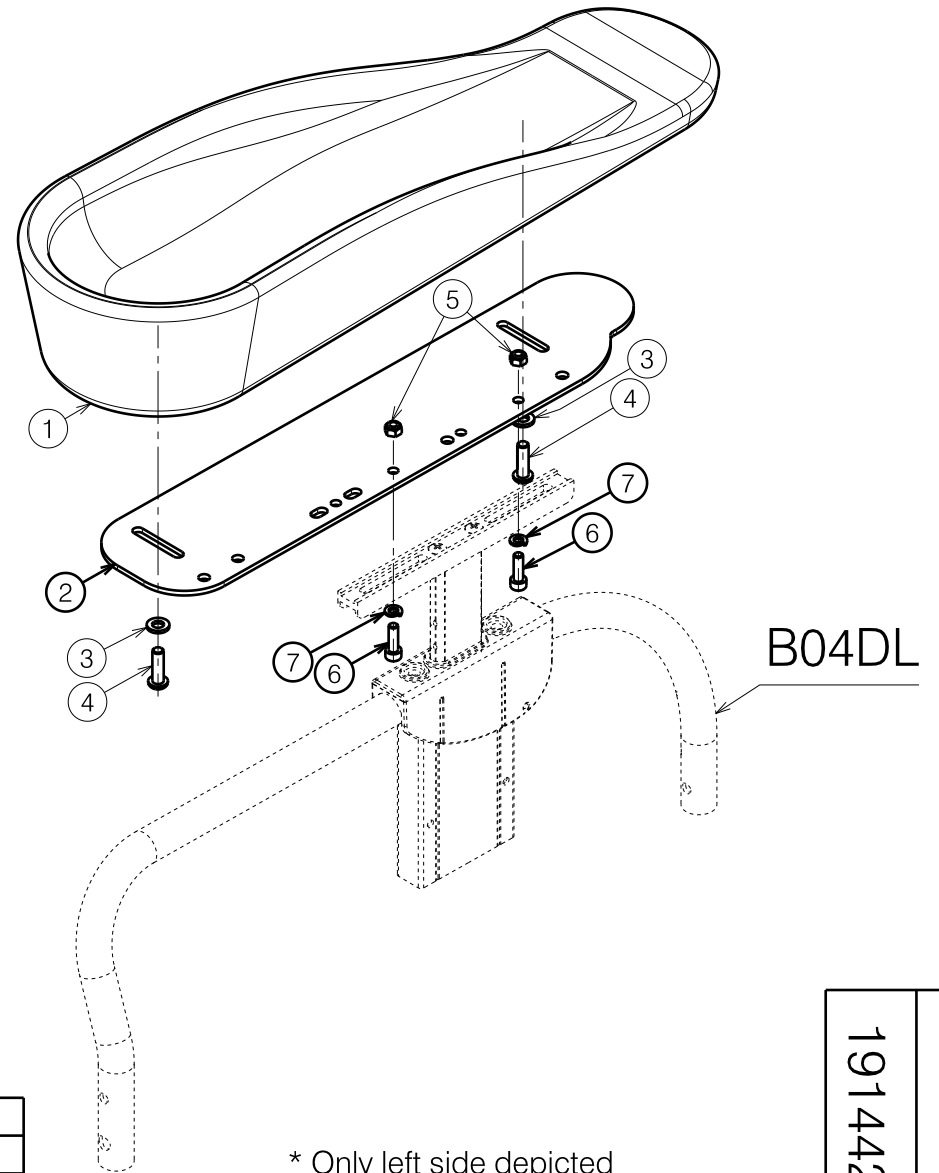
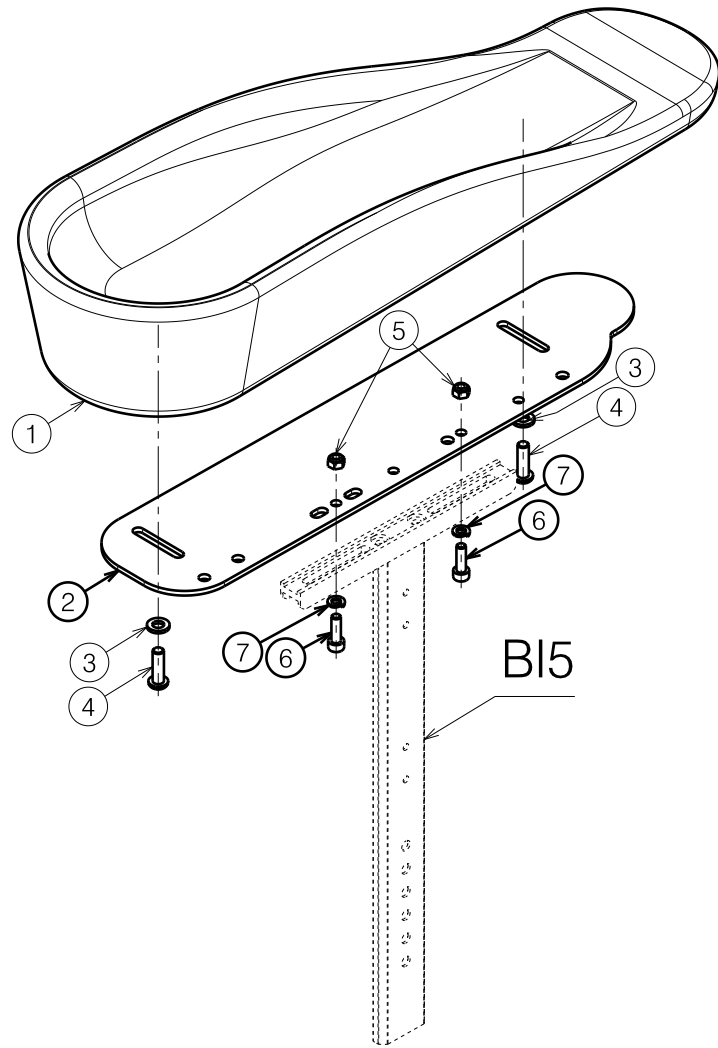
* Only left side depicted
 * Quantities are for one side

B66 TYPE V-SERIES FIXED			
SHEET 2/3		B04 - B05 ARMREST	
Scale: 1:4	Drafted	Verified	Confirmed
Date	19/07/2011	21/06/2021	21/06/2021
Initials	TT	TT	PJ

1907410
1907411

Plan No.	E000739 / F
	

E000739 / F



* Only left side depicted
 * Quantities are for one side

Material			
No.	Plan	Article	Quantity
1	X003872	1901134	1
2	Y017946	1759204	1
3	M6 DIN125A	1000973	2
4	M6x20 ISO7380	1006999	2
5	M5 DIN985	1001679	2
6	M5x16 DIN912	1007198	2
7	M5 DIN127B	1906561	2

B66 TYPE V-SERIES FIXED				Plan No. E000739 / F
SHEET 3/3 BI5 - B04DL ARMREST				
Scale: 1:4	Drafted	Verified	Confirmed	
Date	19/07/2011	21/06/2021	21/06/2021	
Initials	TT	TT	PJ	

1914427
1914428

E000739 / F