

Replaces: EC00299

NOTICE: THE INFORMATION CONTAINED ON THIS DRAWING IS PROPRIETARY TO VERMEIREN GROUP AND SHALL NOT BE DISCLOSED IN WHOLE OR IN PART, OR USED FOR ANY DESIGN OR MANUFACTURE, EXCEPT WHEN SUCH USER POSSESSES DIRECT WRITTEN AUTHORISATION FROM VERMEIREN GROUP.

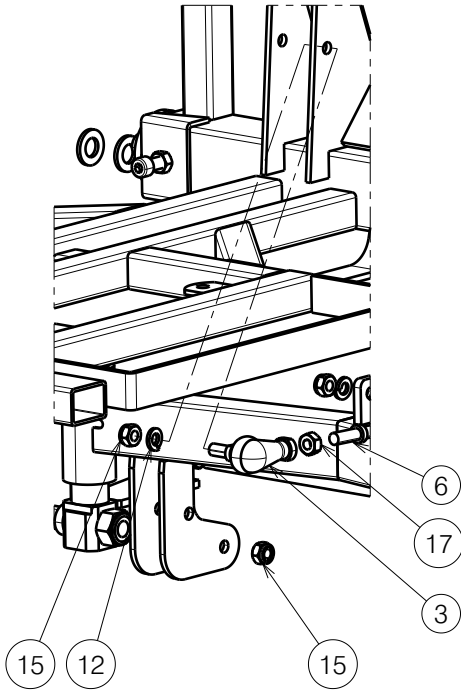
Assembly Detail B on sheet 2

Assembly Detail A on sheet 2

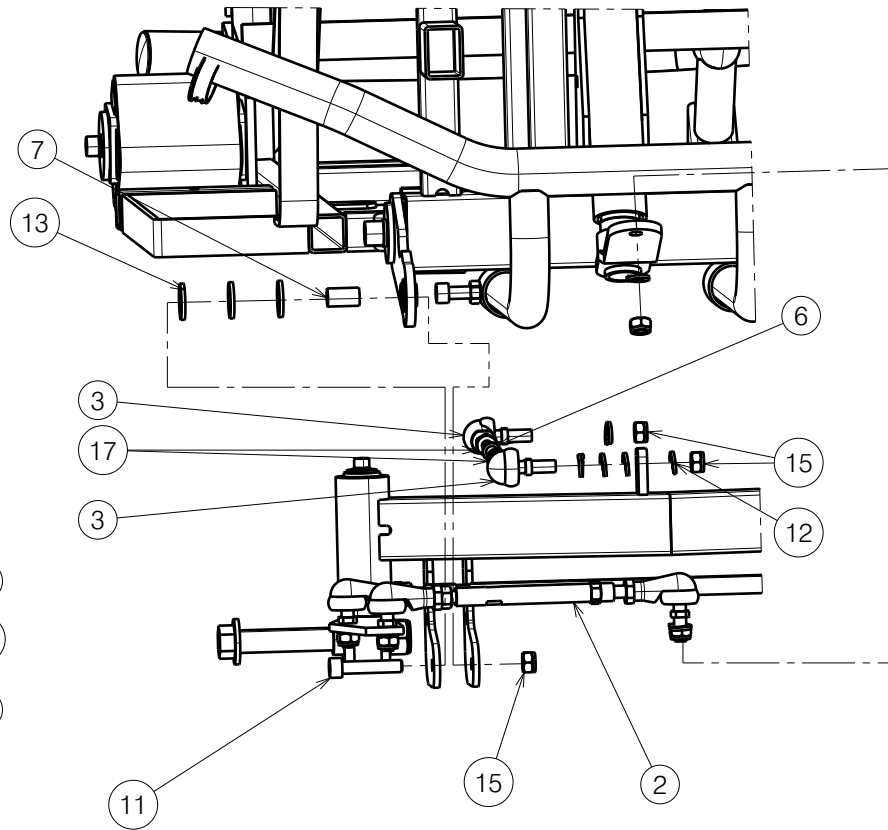
SV CARPO SE MAIN-BASIC ASM				---
				Plan No.
				E00063160/A.1
Scale:	1:8	Drafted	Verified	Confirmed
Date	14/05/2024	14/05/2024	14/05/2024	14/05/2024
Initials	BK	MK	MK	MK



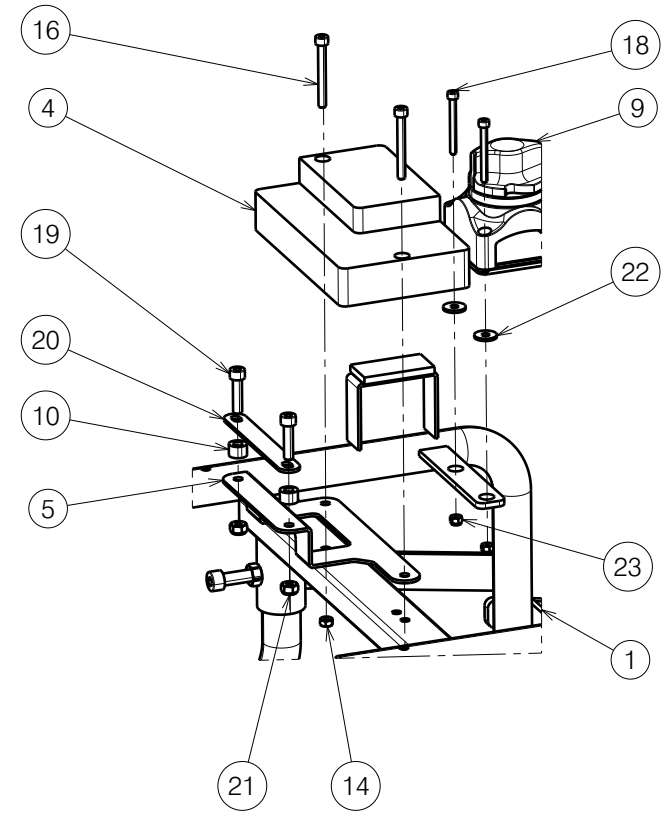
Assembly Detail A



Assembly Detail B




Assembly Detail C



Replaces: EC00299

NOTICE: THE INFORMATION CONTAINED ON THIS DRAWING IS PROPRIETARY TO VERMEIREN GROUP AND SHALL NOT BE DISCLOSED IN WHOLE OR IN PART, OR USED FOR ANY DESIGN OR MANUFACTURE, EXCEPT WHEN SUCH USER POSSESSES DIRECT WRITTEN AUTHORISATION FROM VERMEIREN GROUP.

<h2 style="margin: 0;">SV CARPO SE MAIN-BASIC ASM</h2>				---
				Plan No. E00063160/A.1
Scale: 1:5	Drafted	Verified	Confirmed	
Date	14/05/2024	14/05/2024	14/05/2024	
Initials	BK	MK	MK	

No.	Plan	Article	Qty
1	E00077760	-	1
2	E00076921	-	1
3	3990637	3990637	2
4	3990624	3990624	1
5	YC01799	1C62304	1
6	XC00178	3990712	1
7	XC00174	3990671	2
8	XC00333	3990645	1
9	XC00564	3992376	1
10	XP00545	GP03900	2
11	M8x40	1001500	2
12	Washer M8 DIN127A	1001570	6
13	Washer D24xD13x2.5	1993362	6
14	Nut M5	1001669	2
15	Nut M8	1001682	5
16	M5x45	3991349	2
17	Nut M8	1001671	2
18	M4x40	3992407	2
19	M6x25	1001494	2
20	YC01797	1C62404	1
21	Nut M6	1001680	2
22	Washer M5	1005138	2
23	Nut M4	1001678	2

Replaces: EC00299

NOTICE: THE INFORMATION CONTAINED ON THIS DRAWING IS PROPRIETARY TO VERMEIREN GROUP AND SHALL NOT BE DISCLOSED IN WHOLE OR IN PART, OR USED FOR ANY DESIGN OR MANUFACTURE, EXCEPT WHEN SUCH USER POSSESSES DIRECT WRITTEN AUTHORISATION FROM VERMEIREN GROUP.

SV CARPO SE MAIN-BASIC ASM				Plan No. E00063160/A.1
Scale:	1:1	Drafted	Verified	Confirmed
Date	14/05/2024	14/05/2024	14/05/2024	
Initials	BK	MK	MK	

