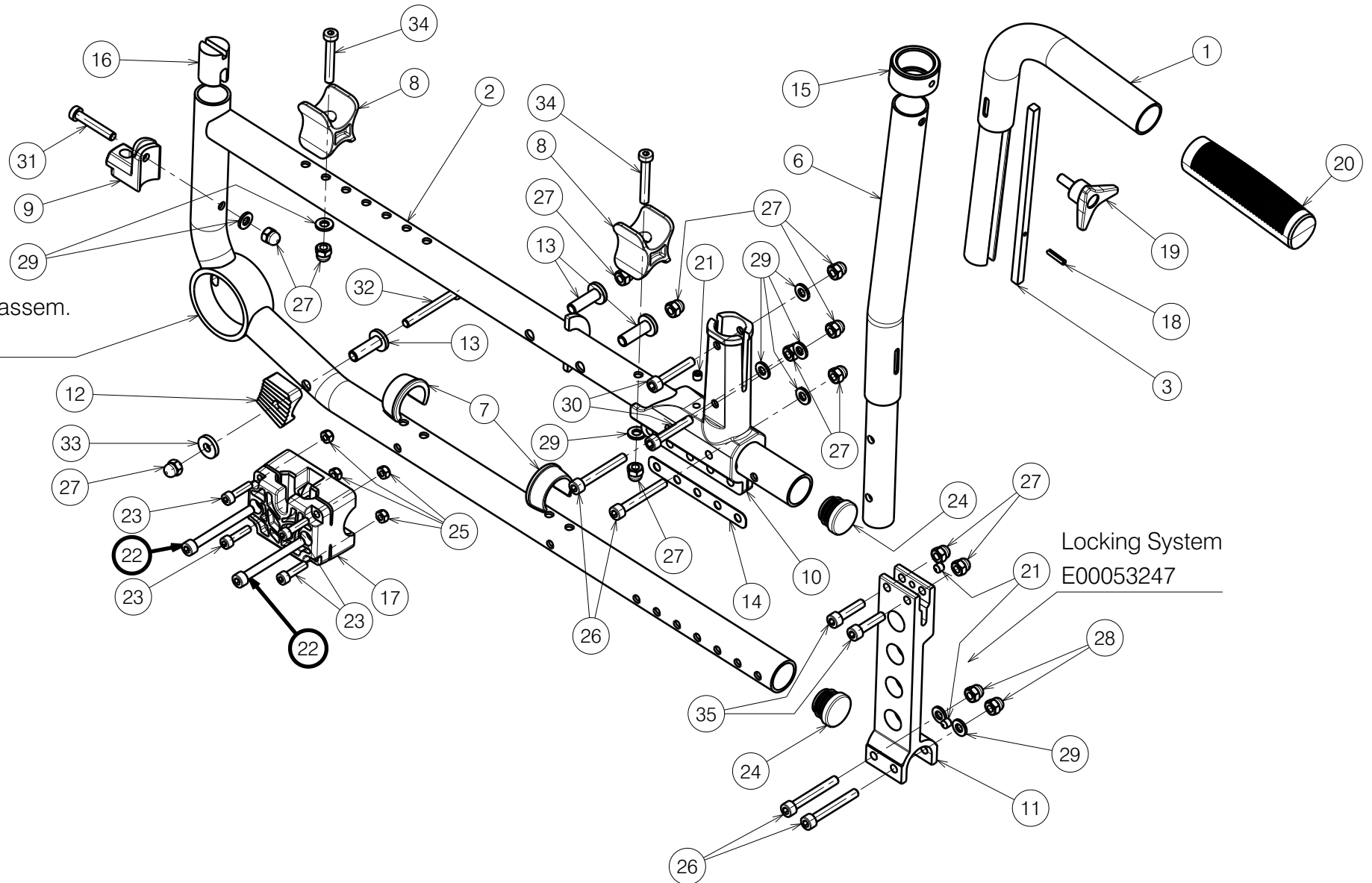


Front wheel assem.
E00054057




Locking System
E00053247

NOTICE: THE INFORMATION CONTAINED ON THIS DRAWING IS PROPRIETARY TO VERMEIREN GROUP AND SHALL NOT BE DISCLOSED IN WHOLE OR IN PART, OR USED FOR ANY DESIGN OR MANUFACTURE, EXCEPT WHEN SUCH USER POSSESSES DIRECT WRITTEN AUTHORISATION FROM VERMEIREN GROUP.

Sheet 1/2

2995844

VERS0 FRONT SIDE FRAME BI5				Plan No.
				E00054056/F1.1
Scale: 1:4	Drafted	Verified	Confirmed	
Date	14/03/2023	2/10/2023	2/10/2023	
Initials	SD	PM	MK	


BOM			
No.	Plan	Article	Qty
1	P00023273	2638371 (WH)	1
		2638376 (BL)	1
2	P00023284	2638471 (WH-Left)	1
		2638476 (BL-Left)	1
	P00023286	2638571 (WH-Right)	1
		2638576 (BL-Right)	1
3	P00027229	2643800	1
6	Y017422	1747971 (WH)	1
		1747976 (BL)	1
7	X004308	1904129	2
8	X004309	1904133	2
9	X004415	17193	1
10	X004470	1713654	1
11	X004471	1713399	1
12	X004597	1905121	1
13	X004689	1734600	3
14	X004758	1906004	1
15	X004876	1747754	1
16	X004818	1906184	1
17	X005565	1912287	1
18	D3x16 DIN1481	1003791	1
19	M6x16	1906622	1
20	---	1908236	1

BOM			
No.	Plan	Article	Qty
21	M6x6 DIN914	1909924	3
22	M6x60 DIN912	2995262	2
23	M5x20 DIN912	1915452	4
24	D25	1991857	1
25	M5 DIN985	2994006	4
26	M6x45 DIN912	2994058	4
27	M6 DIN986	2994059	14
28	M6x35 ISO7380	2994131	1
29	M6 DIN125	2994414	9
30	M6x35 DIN912	2994634	2
31	M6x35 DIN7984	2994654	1
32	M6x50 DIN912	2995258	1
33	M6 DIN7349	2995261	1
34	M6x40 DIN7984	2995263	2
35	M6x25 DIN912	2996887	2

NOTICE: THE INFORMATION CONTAINED ON THIS DRAWING IS PROPRIETARY TO VERMEIREN GROUP AND SHALL NOT BE DISCLOSED IN WHOLE OR IN PART, OR USED FOR ANY DESIGN OR MANUFACTURE, EXCEPT WHEN SUCH USER POSSESSES DIRECT WRITTEN AUTHORISATION FROM VERMEIREN GROUP.

Sheet 2/2

2995844

VERS0 FRONT SIDE FRAME BI5				Plan No. E00054056/F1.1
Scale: 1:4	Drafted	Verified	Confirmed	
Date	14/03/2023	2/10/2023	2/10/2023	
Initials	SD	PM	MK	