
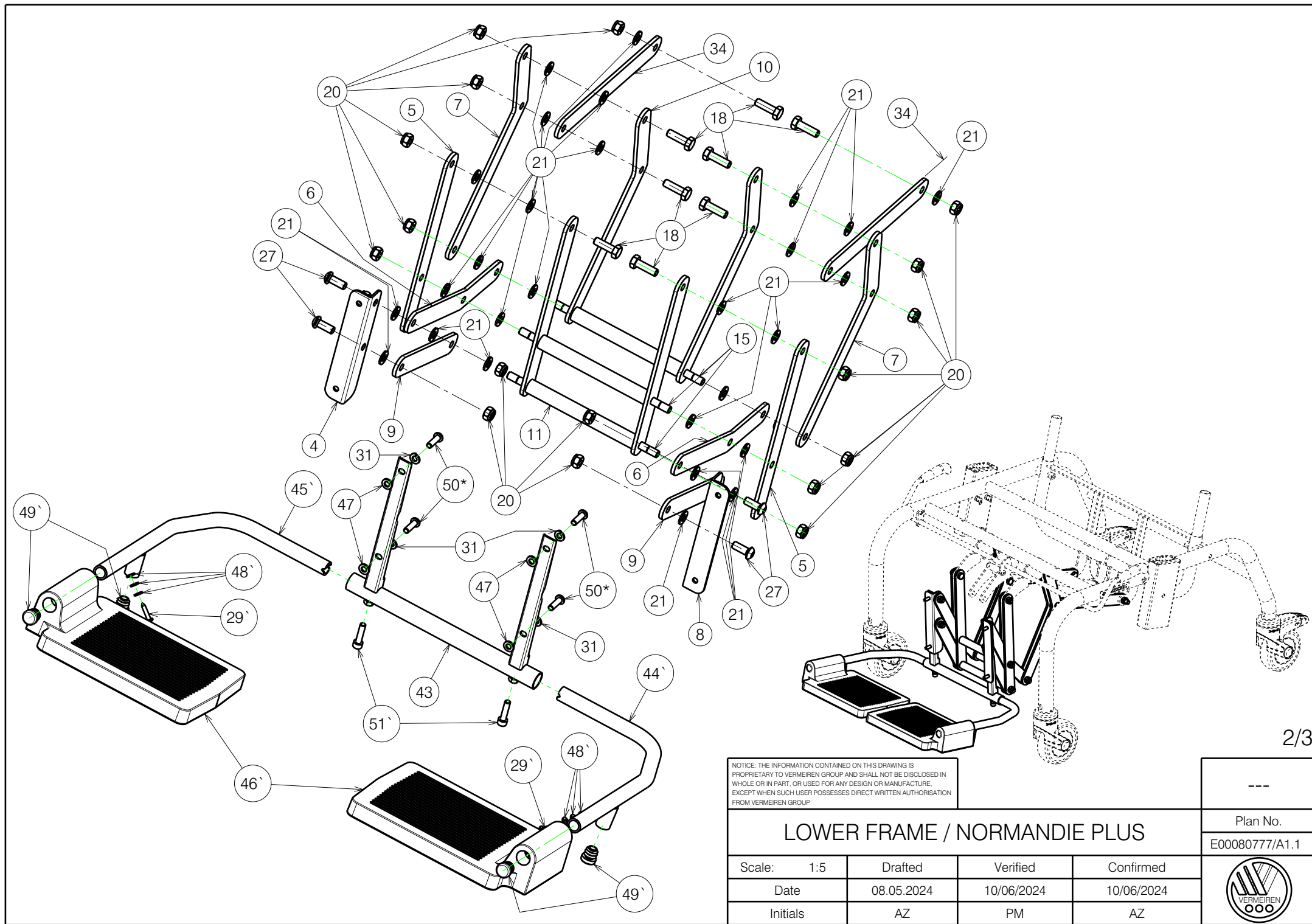


NOTICE: THE INFORMATION CONTAINED ON THIS DRAWING IS PROPRIETARY TO VERMEIREN GROUP AND SHALL NOT BE DISCLOSED IN WHOLE OR IN PART, OR USED FOR ANY DESIGN OR MANUFACTURE, EXCEPT WHEN SUCH USER POSSESSES DIRECT WRITTEN AUTHORISATION FROM VERMEIREN GROUP.

LOWER FRAME / NORMANDIE PLUS			
Scale: 1:6	Drafted	Verified	Confirmed
Date	08.05.2024	10/06/2024	10/06/2024
Initials	AZ	PM	AZ

Plan No.
E00080777/A1.1





NOTICE: THE INFORMATION CONTAINED ON THIS DRAWING IS PROPRIETARY TO VERMEIREN GROUP AND SHALL NOT BE DISCLOSED IN WHOLE OR IN PART, OR USED FOR ANY DESIGN OR MANUFACTURE, EXCEPT WHEN SUCH USER POSSESSES DIRECT WRITTEN AUTHORISATION FROM VERMEIREN GROUP.

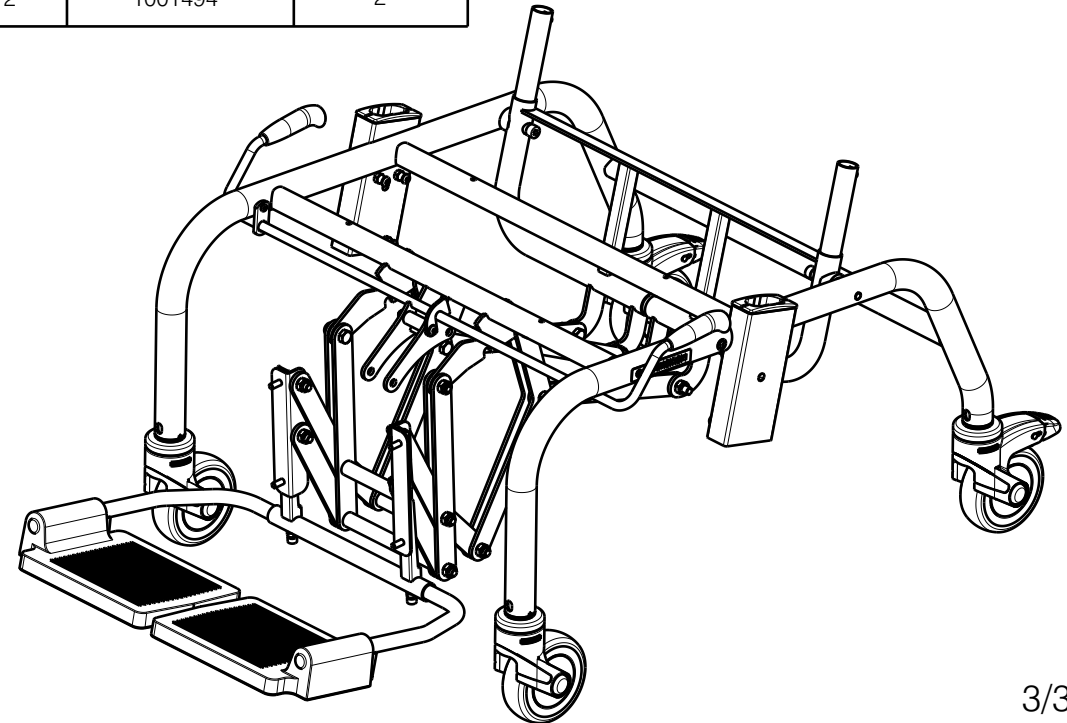
LOWER FRAME / NORMANDIE PLUS				---
				Plan No.
				E00080777/A1.1
Scale:	1:5	Drafted	Verified	Confirmed
Date	08.05.2024	10/06/2024	10/06/2024	10/06/2024
Initials	AZ	PM	AZ	



Material			
No.	Plan	Article	Quantity
1	Y012249	1667265	2
2	YP08803	2627965	1
3	YP08901	2629600	1
4	YP00412	1822565	1
5	YP00483	1822465	2
6	YP00491	1822365	2
7	YP00568	1822265	2
8	YP00592	1822665	1
9	YP00635	1822865	2
10	YP00715	1824965	1
11	YP00716	1825065	1
12	YP08395 (Method 1)	2615265	1
	YP08896 (Method 2)	2629565	1
13	X000319	G080200	1
14	X001296	G065155	1
15	X001862	1447500	3
16	X004485 (Black)	1903994	2
17	X005930 (Black)	1916350	4
18	M8x25 DIN 933	1001442	8
19	M6 DIN 934	1001670	8
20	M8 DIN 985	1001682	18
21	D8,4 DIN 125	1003199	30
22	D100 (Black) No Brake	1917912	2
23	M6 DIN 985	1001680	1
24	M6x12	1007000	8
25	M8x16 DIN 912	1001498	2
26	D 100 (Black) Brake	1917913	2
27	M8x20	1992349	4
28	M6x50	1006997	1
29	D4x20	1991373	2
29`	D4x20	1991373	2
30	Gas spring 150N	1917602	1
31	M6 DIN127	1004414	4
32	Sticker Arrow	1903223	2
33	Sticker Vermeiren	T001051	2
34	YP05712	2722165	2
35	M10 DIN439B	1903216	1
36	Y000462	F000050	2
37	YP08858DP	2629865	1
38	X000106	G003218	2

Material			
No.	Plan	Article	Quantity
39	X000273	G060600	2
40	X002480	1993793	2
41	Pin D8X45	1993594	1
42	M8x60 DIN912	1997781	2
43	P00079184	2689565	1
44`	P00079308	2689665	1
45`	P00079310	2689765	1
46`	X003573	1004818	2
47	M6 DIN125A	1000973	4
48`	M5 DIN125A	1001550	6
49`	Cap D16	1001598	4
50*	M6x20 ISO7380	1006999	4
51`	M6x25 DIN912	1001494	2

* - Use only for Normadie Plus / Normandie E Plus,
For Normandie 2020 /
Normandie E 2020: 1007000 (see: EP00533).
` - Assembled parts packed separately - not
assembled with wheelchair /
for customer assembly.



3/3

NOTICE: THE INFORMATION CONTAINED ON THIS DRAWING IS
PROPRIETARY TO VERMEIREN GROUP AND SHALL NOT BE DISCLOSED IN
WHOLE OR IN PART, OR USED FOR ANY DESIGN OR MANUFACTURE,
EXCEPT WHEN SUCH USER POSSESSES DIRECT WRITTEN AUTHORISATION
FROM VERMEIREN GROUP.

LOWER FRAME / NORMANDIE PLUS				---
				Plan No. E00080777/A1.1
Scale: 1:8	Drafted	Verified	Confirmed	
Date	08.05.2024	10/06/2024	10/06/2024	
Initials	AZ	PM	AZ	