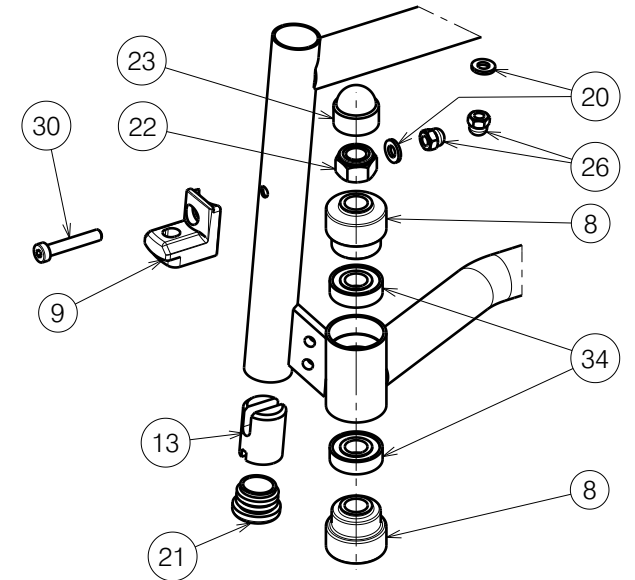



Detail A  
Scale 1:4



V100D XL SIDE FRAME				Plan No.
				E000728 / H
Scale: 3:20	Drafted	Verified	Confirmed	
Date	21/04/2011	24/11/2023	24/11/2023	
Initials	SD	PM	AZ	

Material							
No.	Plan	Article	Quantity	No.	Plan	Article	Quantity
1	X002437	1992699	2	21	---	1001608	2
2	X003204	1585100	2	22	---	1001684	2
4	X003986	1902199	2	23	---	1003294	2
5	X004308	1904129	2	24	---	1003909	6
6	X004309	1904133	2	25	---	1006850	2
7	X004406	1722400	2	26	---	1008492	12
8	X004407	1904573	4	27	---	1001500	2
9	X004415	17193	2	29	---	1902024	2
10	X004420	1904134	2	30	---	1903903	2
11	X004469	1905045	2	31	XC00037	3990106	2
12	X004487	1904581	2	32	---	1905244	2
13	X004568	1904657	2	34	---	1992559	2
14	X004574	1904658	2	35	---	1992599	4
15	Y006559	1995662	2	36	---	1992600	2
16	Y006560	1575062	2	37	M16 type S DIN17222	1911653	2
17	Y016062	1736054	2	38	---	1994605	2
18	Y016063	1736154	2	39	---	1997388	2
19	Y017322	17616..(L)	1	40	---	1998993	2
	Y017335	17617..(R)	1	41	---	1998994	2
20	M6 DIN125	1001564	6				

Note: Quantities are for one wheelchair, left side only depicted

Sheet 2 / 2

E000728 / H

V100D XL SIDE FRAME FRAME V100 XL DELUXE				Plan No. E000728 / H
Scale: 3:20	Drafted	Verified	Confirmed	
Date	21/04/2011	24/11/2023	24/11/2023	
Initials	SD	PM	AZ	