
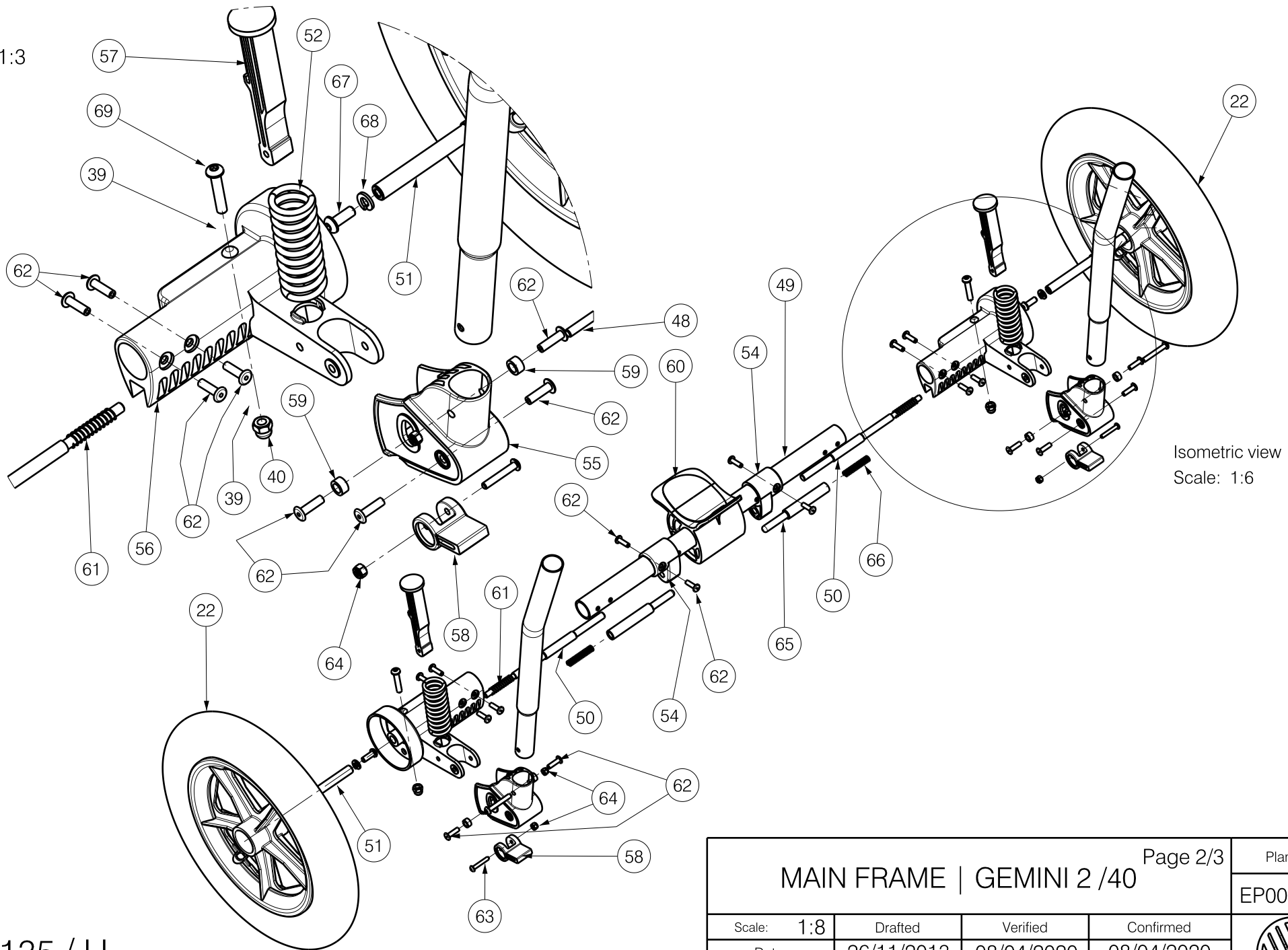


EP00135 / H

Page 1/3				Plan No.
MAIN FRAME GEMINI 2 /40				EP00135/ H
Scale: 1:8	Drafted	Verified	Confirmed	
Date	26/11/2013	08/04/2020	08/04/2020	
Initials	AS	DB	TK	

Detail A
Scale: 1:3



Isometric view
Scale: 1:6

EP00135 / H

MAIN FRAME GEMINI 2 /40				Page 2/3	Plan No.
				EP00135/ H	
Scale:	1:8	Drafted	Verified	Confirmed	
Date	26/11/2013	08/04/2020	08/04/2020	08/04/2020	
Initials	AS	DB	TK		



Material			
No.	Plan	Article	Quantity
1	YP04466	28654..	1
2	YP04432 DP	28830..	1
3	YP04469	28656..	1
4	YP00772	18280..	2
5	YP04470	28655..	1
6	YP00773	18281..	2
7	YP04512	2867500	1
8	YP04599	2869300	1
9	YP04473	2865700	2
10	YP00899	18363	2
11	X002506	1525200	4
12	XP00225	2990145	2
13	XP00224	1835100	2
14	X001016	1001682	2
15	XP00138	1817200	2
16	X002698	1552300	2
17	XP00228	2990148	2
18	XP00227	2990147	4
19	XP00146	1818700	2
20	XP01100	2992081	2
21	XP00226	2990146	2
22	Wheel R290/60	2992093	2
23	---	2990085	1
24	---	2990149	1
25	---	2990087	2
26	---	1991447	2
27	---	2992094	2
28	M8x75	1998993	2
29	---	1990507	2
30	---	1001572	2
31	M6x40	1006111	8
32	M6	1001680	10
33	---	2990084	2
34	---	2990094	2
35	---	2990093	2


Material			
No.	Plan	Article	Quantity
36	---	1993722	6
37	----	H016007	4
38	---	1006999	8
39	---	1001564	10
40	---	1001500	2
41	---	1996574	2
42	---	1001608	2
43	--	1000973	10
44	---	1994752	2
45	---	1996843	2
46	---	2990113	2
47	---	1003321	4
48	---	2990115	2
49	YP04500	28711	1
50	XP01122	2871400	2
51	XP01120	2871200	2
52	XP01128	2884700	2
53	M6	1001687	2
54	---	2992120	2
55	YP04636	2992136	2
56	---	2992118L	1
	---	2992130R	1
57	---	2992117	2
58	---	2992116	2
59	---	2992114	4
60	---	2992119	1
61	---	2992121	2
62	Rivet_4.8x17	1001586	18
63	M4x25	1904067	2
64	M4	1001678	4
65	XP01126	2884200	2
66	---	2992140	2

Material			
No.	Plan	Article	Quantity
67	M6x16	1008459	2
68	M6	1004414	2
69	M6x30	1009588	2
70	Dopmoer M6	1008492	2

Set 2992108

Material			
No.	Plan	Article	Quantity
54	---	2992120	2
55	YP04636	2992136	2
56	---	2992118L	1
	---	2992130R	1
57	---	2992117	2
58	---	2992116	2
59	---	2992114	4
60	---	2992119	1
61	---	2992121	2
66	---	2992140	2

EP00135 / H

<p style="text-align: center;">MAIN FRAME GEMINI 2 /40</p>				Page 3/3	Plan No.
				EP00135/ H	
Scale: 1:8	Drafted	Verified	Confirmed		
Date	26/11/2013	08/04/2020	08/04/2020		
Initials	AS	DB	TK		