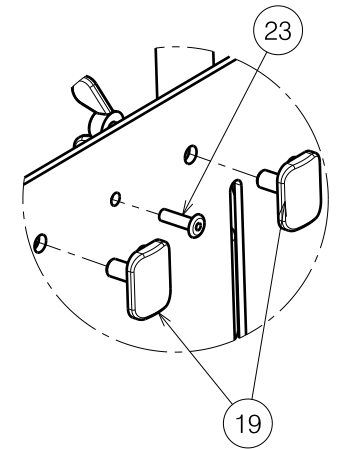
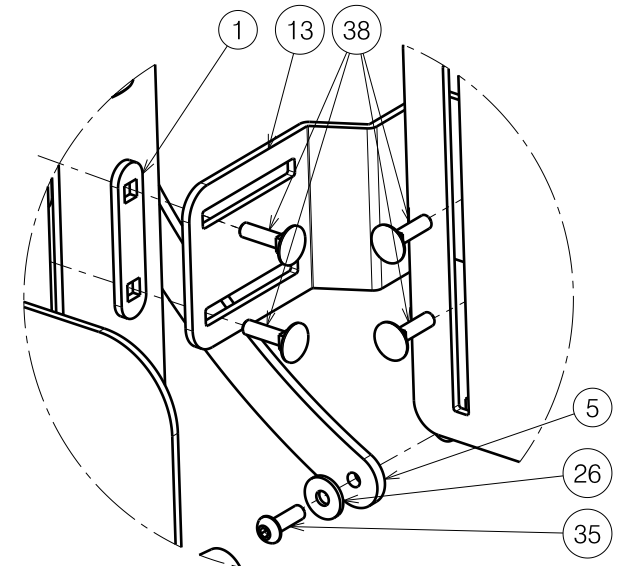


Detail C  
Scale: 2:5



Detail D  
Scale: 2:5



Detail E  
Scale: 2:5

EP00113 / E

EXPLODED VIEW BAYO 32 BACKREST

Page 1/3

Plan No.

EP00113/ E

Scale: 1:6

Drafted

Verified

Confirmed

Date

16/05/2013

09/07/2013

09/07/2013

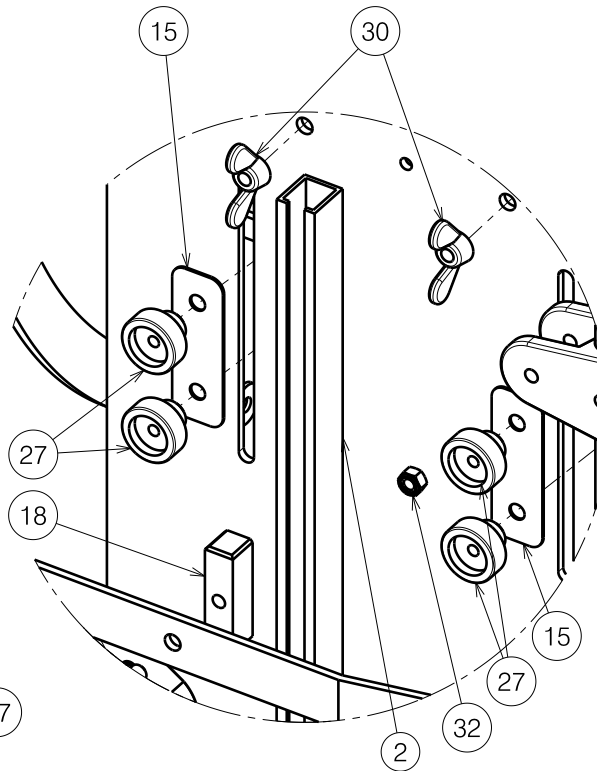
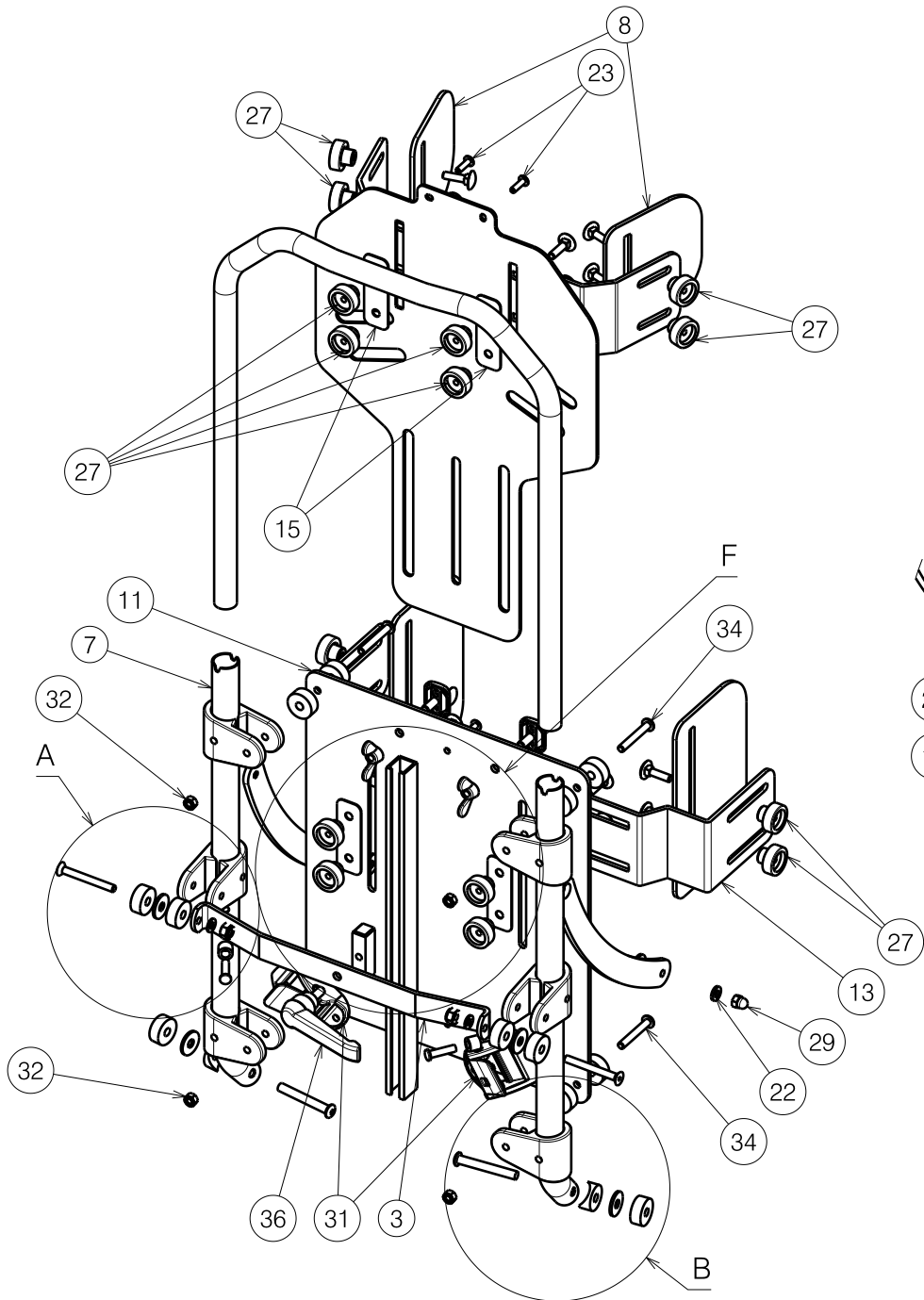
Initials

WM

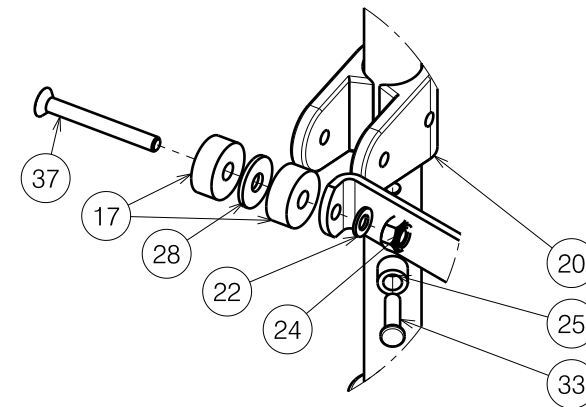
BS

TK

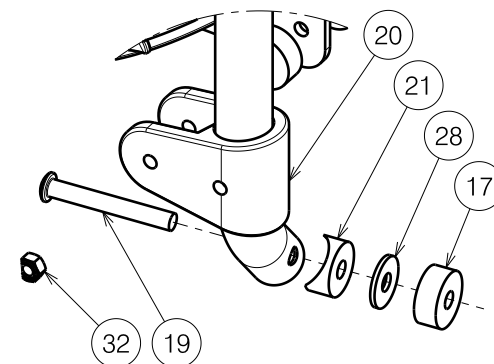




Detail F  
Scale: 2:5




Detail A  
Scale: 2:5



Detail B  
Scale: 2:5


EP00113 / E

EXPLODED VIEW BAYO 32 BACKREST				Plan No.
				Page 2/3 EP00113/ E
Scale: 1:6	Drafted	Verified	Confirmed	
Date	16/05/2013	09/07/2013	09/07/2013	
Initials	WM	BS	TK	

Material			
No.	Plan	Article	Quantity
1	YP04320	2852306	2
2	YP00476	1816606	1
3	YP00485	1814306	1
4	YP00564	18165	1
5	YP00566	18162	1
6	YP00586	1815706	2
7	YP00587	1818806	2
8	YP04259	2853106	2
9	YP04261 (LARGE)	2852906	2
	YP04260 (MEDIUM)	2852806	2
10	YP04263	2852106	1
11	YP04264	2852206	1
12	YP04295	28530	2
13	YP04297	28527	2
14	YP04312	2852006	1
15	YP04319	2852406	4
16	XP00140	2990097	2
17	D20xD6.1x8	2990067	14
18	XP00124	18237	1
19	M6X45	1991017	2
20	---	2990086	6
21	X000586	1005742	2
22	D10xD5.3x1 DIN125A	1001550	4
23	Rivet 4X14	1001584	6
24	M6	1001680	2
25	D10xD6.25x8	1004550	2
26	D5.3xD15x1.6 DIN9021	1005138	2
27	---	2991057	16
28	D18XD6.4X1.6 DIN9021	2990046	4
29	M5	1992804	2
30	Wing Nut M6	1001520	2
31	---	2992529	2
32	M5	1001679	4
33	Rivet D5X20	1003897	2
34	M5x35	2990115	4
35	M5x16	1006112	2
36	Handle M6x15	1009933	1
37	M5x45 DIN 7991 8.8	2990114	2
38	M5x20 DIN 603	2991056	16

Kolor tapicerki / upholstery color	Materialy / Fabrics	Kod lakieru / paint code	Detale w tym kolorze / items in this color
Pomarańczowo-szara / Orange & Gray	ALCALA ORANGE (51) 2992010 ALCALA GREY (55) 2992011	C50	1816510 1816210 2853010 2852710
Zielono-szara / Green & Gray	ALCALA GREEN (63) 2992012 ALCALA GREY (55) 2992011	C49	1816509 1816209 2853009 2852709
Bezowo-brazowa / Beige & Brown	ALCALA BEIGE (54) 2992013 ALCALA BRIUN (52) 2991843	C60	1816538 1816238 2853038 2852738

EP00113 / E

EXPLODED VIEW BAYO 32 BACKREST				Plan No.
Page 3/3				EP00113/ E
Scale: 1:6	Drafted	Verified	Confirmed	
Date	16/05/2013	09/07/2013	09/07/2013	
Initials	WM	BS	TK	