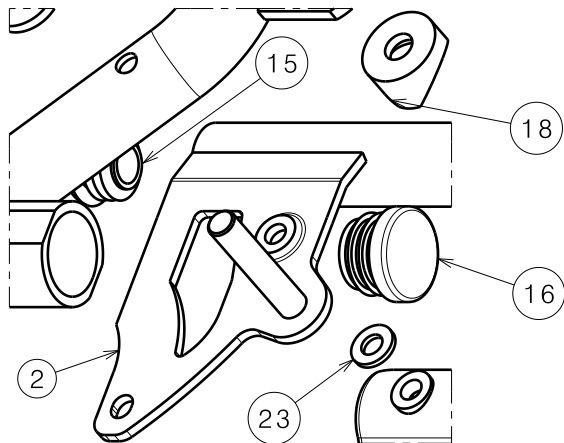



Detail A  
Scale / Schaal 1:2



REAR FRAME ECLIPS X4 - 90° TYPE L14 ACHTERFRAME ECLIPS X4 - 90° TYPE L14				Plan No. / Plannr. E000050/C
Scale / Schaal: 1:4	Drafted / Getekend 20/06/2003	Verified / Nagezien 12/05/2009	Confirmed / Bevestigd 12/05/2009	
Date / Datum	20/06/2003	12/05/2009	12/05/2009	
Init. / Init.	SD	SD	PJ	

Material / Materiaal							
No./Nr.	Plan / Plan	Article / Artikel	Number / Aantal	No./Nr.	Plan / Plan	Article / Artikel	Number / Aantal
1	Y005466	15470..	1	17	Y004759 (Ri/Re)	15280..	1
2	Y004874 (Ri/Re)	15277..	1		Y004747 (Le/Li)	15279..	1
	Y004873 (Le/Li)	15276..	1	18	X000862	1006463	1
3	Y004885 (Ri/Re)	15299..	1	19	---	1009588	3
	Y004884 (Le/Li)	15298..	1	20	X002730	1553300	2
4	Y004794	15272..	1	21	---	1994748	1
5	Y004795	15296..	1	22	---	1008492	7
6	Y004390	15269..	1	23	---	1001564	5
7	X002539	1993795	1	24	---	1001486	1
8	X003852	1670082	1	25	---	1001534	4
9	X002540	1993796	1	26	---	1904106	1
10	X002480	1993793	2	27	---	1006111	1
11	---	1009800	1	28	---	1003109	2
12	X000582	1005740	1	29	---	1008459	1
13	X002679	1994452	1	30	---	1009748	1
14	X002074	1992183	1	31	---	F002907	1
15	---	1990648	2	32	---	1990146	1
16	---	1991857	1	33	---	1994749	1
				34	---	1994750	1

REAR FRAME ECLIPS X4 - 90° TYPE L14				Plan No. / Plannr.
ACHTERFRAME ECLIPS X4 - 90° TYPE L14				E000050/C
Scale / Schaal: 1:4	Drafted / Getekend	Verified / Nagezien	Confirmed / Bevestigd	
Date / Datum	20/06/2003	12/05/2009	12/05/2009	
Init. / Init.	SD	SD	PJ	