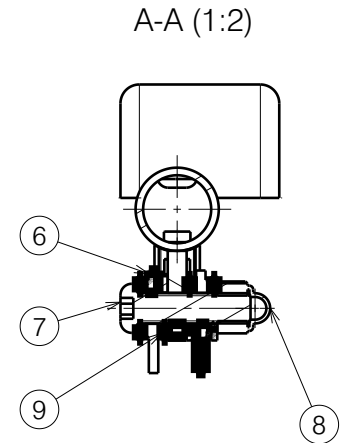
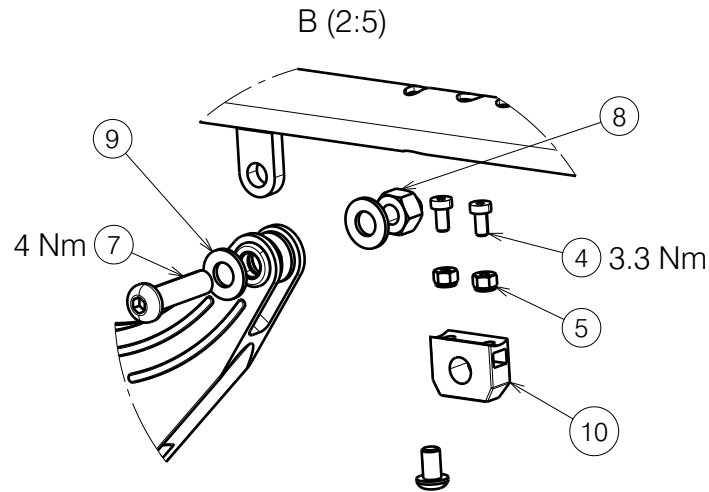
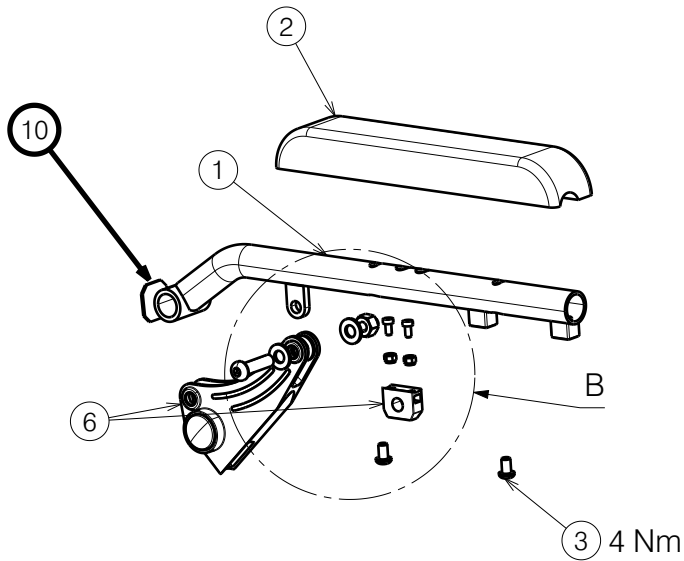
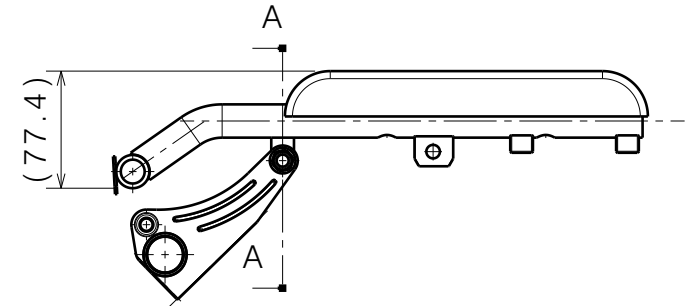
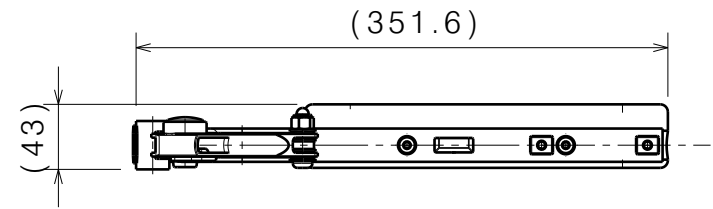


Bill of Material			
No.	Plan	Article	Quantity
1	P00052610	2677565	1
2	X001993	1006045	1
3	M6x10	2994127	2
4	M4x8 DIN7984	1996530	2
5	Nut M4	1907202	2
6	---	3994688	1
7	M8x30 ISO7380	2995396	1
8	Closed nut M8	2995398	1
9	Washer PA6 M8 DIN125	2994415	4
10	XC00529	3992256	1



NOTICE: THE INFORMATION CONTAINED ON THIS DRAWING IS PROPRIETARY TO VERMEIREN GROUP AND SHALL NOT BE DISCLOSED IN WHOLE OR IN PART, OR USED FOR ANY DESIGN OR MANUFACTURE, EXCEPT WHEN SUCH USER POSSESSES DIRECT WRITTEN AUTHORISATION FROM VERMEIREN GROUP.

RIGHT ARMREST PLEGO				---
				Plan No. E00063644/C.1
Scale: 1:5	Drafted	Verified	Confirmed	
Date	30/06/2023	10/10/2024	10/10/2024	
Initials	BK	PM	MK	