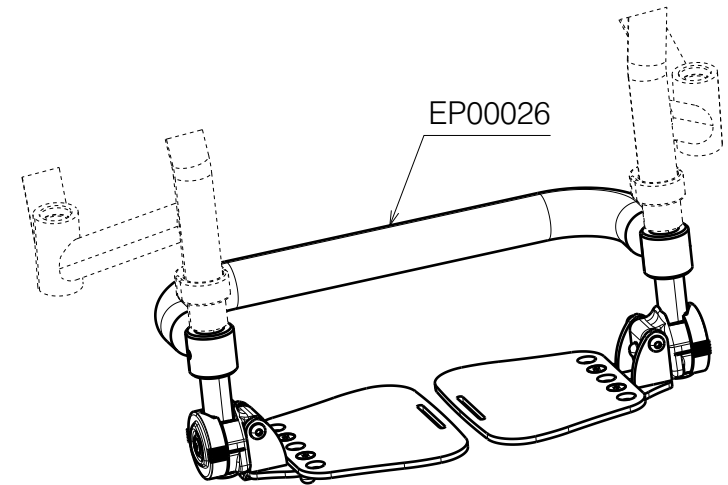


Only right side depicted

No.	Plan	Article	Qty
1	Belt	2994199	1
2	XP02026	2993662	1
3	XP02025	2993661	1
4	P00069732	2682654	1
5	P00070655	2998140	1
6	P00071227	26831	1
7	P00071230 (36-38)	2683254	1
	P00071231 (40-42)	2683354	1
	P00071233 (44-46)	2683454	1
8	Cap D19	1001602	1
9	M6 DIN986	2994059	4
10	D6,4 DIN125	2994068	2
11	M6x16 DIN7991	2994064	2
12	M6x45 ISO7380	2994086	2



NOTICE: THE INFORMATION CONTAINED ON THIS DRAWING IS PROPRIETARY TO VERMEIREN GROUP AND SHALL NOT BE DISCLOSED IN WHOLE OR IN PART, OR USED FOR ANY DESIGN OR MANUFACTURE, EXCEPT WHEN SUCH USER POSSESSES DIRECT WRITTEN AUTHORISATION FROM VERMEIREN GROUP

FOOTREST B06 DEPTH ADJUSTABLE / SAGITTA

Scale:	1:2	Drafted	Verified	Confirmed
Date	20.12.2023	20/12/2023	20/12/2023	20/12/2023
Initials	AZ	AZ	AS	

Plan No.

E00073042/A1.1

