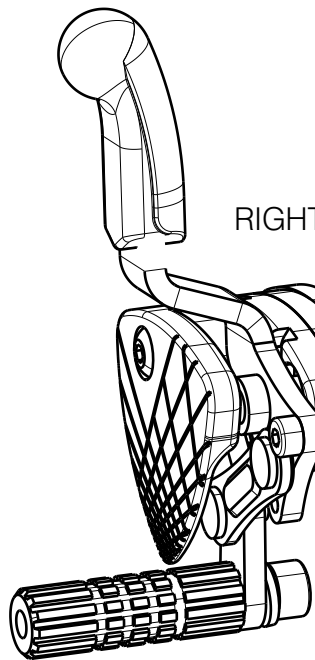


\* - only left side (left brake) depicted  
 # - 2993341 use for wheels off road.

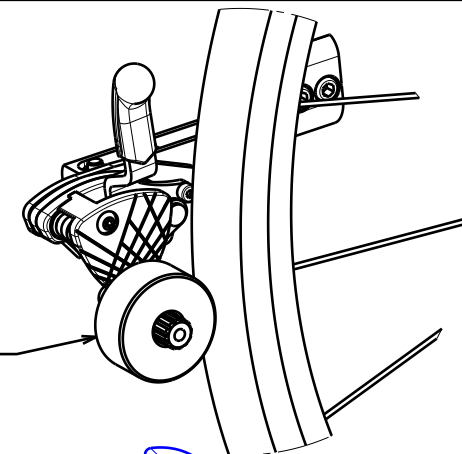
<b>PUSH-PULL BRAKE L&amp;R / V500 ACTIVE</b>				---
				Plan No.
				E00050534/E1.1
Scale:	3:4	Drafted	Verified	Confirmed
Date	2023-01-11	25/04/2024	25/04/2024	
Initials	AZ	PM	AS	



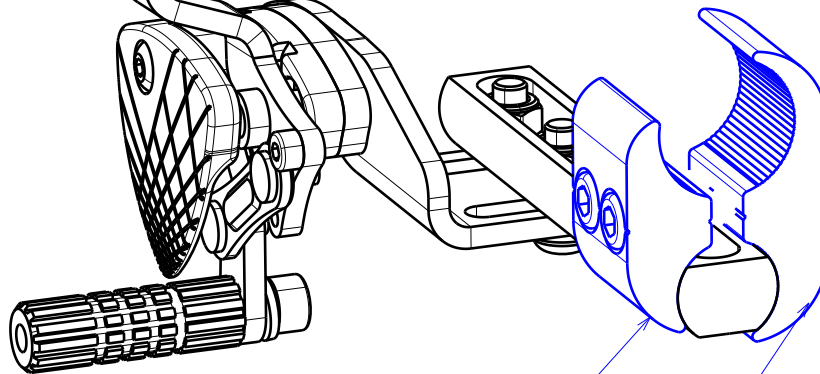
No.	Plan	Article	Qty
1	P00050205 (Left)	2670265	1
	P00048656 (Right)	2670365	1
2	YP06039	2791265	1
3	YP06040 (Left)	2793065	1
	YP06953 (Right)	2742465	1
4	YP07405	2763365	1
5	YP07810	2600765	1
6#	X005277	17938	1
	XP01725	2993341	1
7	XP00808	2821899	1
8	XP00809	2821999	1
9	XP01845 (Left)	2993565	1
	XP01846 (Right)	2993566	1
10	XP01847	2993567	1
11	XP01850	2993569	1
12	XP01875	GP12600	2
13	XP01901	GP00196	2
14	XP01907	GP13000	1
	XP01908	GP13100	1
15	XP02584	2994386	2
16	XP03073	GP23400	2
17	XP03430	2997530	1
18	M6 DIN6798	2992426	2
19	M6 DIN985 (Black)	2994063	2
20	D6,4 DIN125 (Black)	2994414	2
21	M6x20 ISO7380 (Black)	2994010	2
22	M6x16 DIN912 (Black)	2994065	1
23	M4x12 DIN7984 (Black)	1907582	1
24	M6X30 DIN912 (Black)	1915911	2
25	M5 DIN985 (Black)	2994006	1
26	M4x4 DIN912 (Black)	2993667	1
27	M6 DIN127B	1004414	1
28	M5x35 ISO7380 (Black)	2993601	1



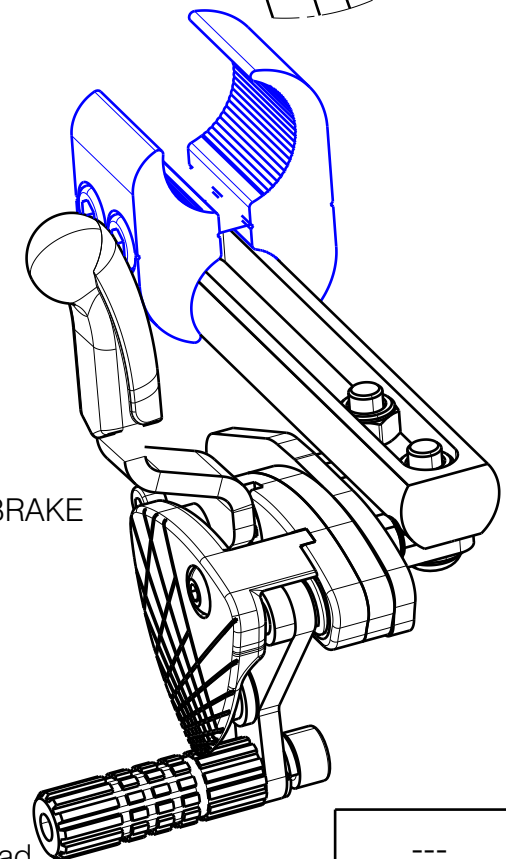
RIGHT BRAKE



| USE M600-107  
TO POSITION IT




Clamp set: 2990321 / 2 pcs



LEFT BRAKE

Method PL		
Procedure	Description	Tool
Press	Press 12 with 2	M600105
Press	Press 12 with 3	M600105
Press	Press 13 with 2,3 thru. 4	M600106

# - 2993341 use for wheels off road.

PUSH-PULL BRAKE L&R / V500 ACTIVE				2/2	---
				Plan No.	E00050534/E1.1
Scale:	3:4	Drafted	Verified	Confirmed	
Date	2023-01-11	25/04/2024	25/04/2024		
Initials	AZ	PM	AS		