

NOTICE: THE INFORMATION CONTAINED ON THIS DRAWING IS PROPRIETARY TO VERMEIREN GROUP AND SHALL NOT BE DISCLOSED IN WHOLE OR IN PART, OR USED FOR ANY DESIGN OR MANUFACTURE, EXCEPT WHEN SUCH USER POSSESSES DIRECT WRITTEN AUTHORISATION FROM VERMEIREN GROUP.

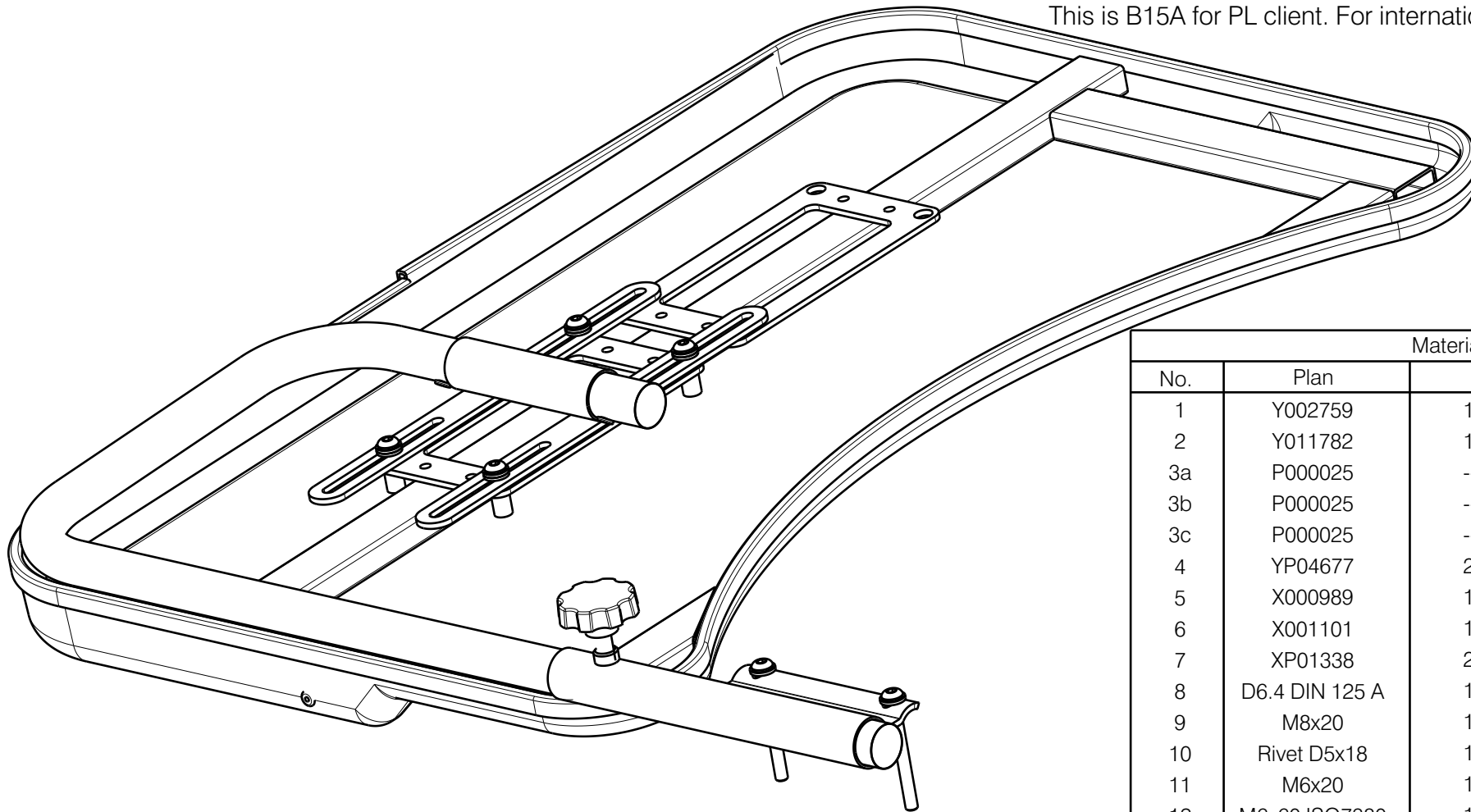
1/2

B15A TABLE V-SERIES & D-SERIES & INOVYS

Plan No.
EP00142/F

Scale:	1:4	Drafted	Verified	Confirmed
Date	19.03.2014	13.04.2026	13.04.2026	
Initials	AZ	PM	AS	





Material			
No.	Plan	Article	Quantity
1	Y002759	1217101	1
2	Y011782	1678501	1
3a	P000025	---*	1
3b	P000025	---**	1
3c	P000025	---***	1
4	YP04677	2887154	1
5	X000989	1004539	4
6	X001101	1001605	2
7	XP01338	2992968	1
8	D6.4 DIN 125 A	1000973	10
9	M8x20	1001580	1
10	Rivet D5x18	1001589	2
11	M6x20	1006999	4
12	M6x60 ISO7380	1992915	2
13	Rivet 4x14	1001584	4
14	---	1003299	2,10m

* B02/B03

** B04/B05

*** Inovys

NOTICE: THE INFORMATION CONTAINED ON THIS DRAWING IS PROPRIETARY TO VERMEIREN GROUP AND SHALL NOT BE DISCLOSED IN WHOLE OR IN PART, OR USED FOR ANY DESIGN OR MANUFACTURE, EXCEPT WHEN SUCH USER POSSESSES DIRECT WRITTEN AUTHORISATION FROM VERMEIREN GROUP.

B15A TABLE V-SERIES & D-SERIES & INOVYS

Plan No.

EP00142/F

Scale:	1:4	Drafted	Verified	Confirmed
Date	19.03.2014	13.04.2026	13.04.2026	
Initials	AZ	PM	AS	

