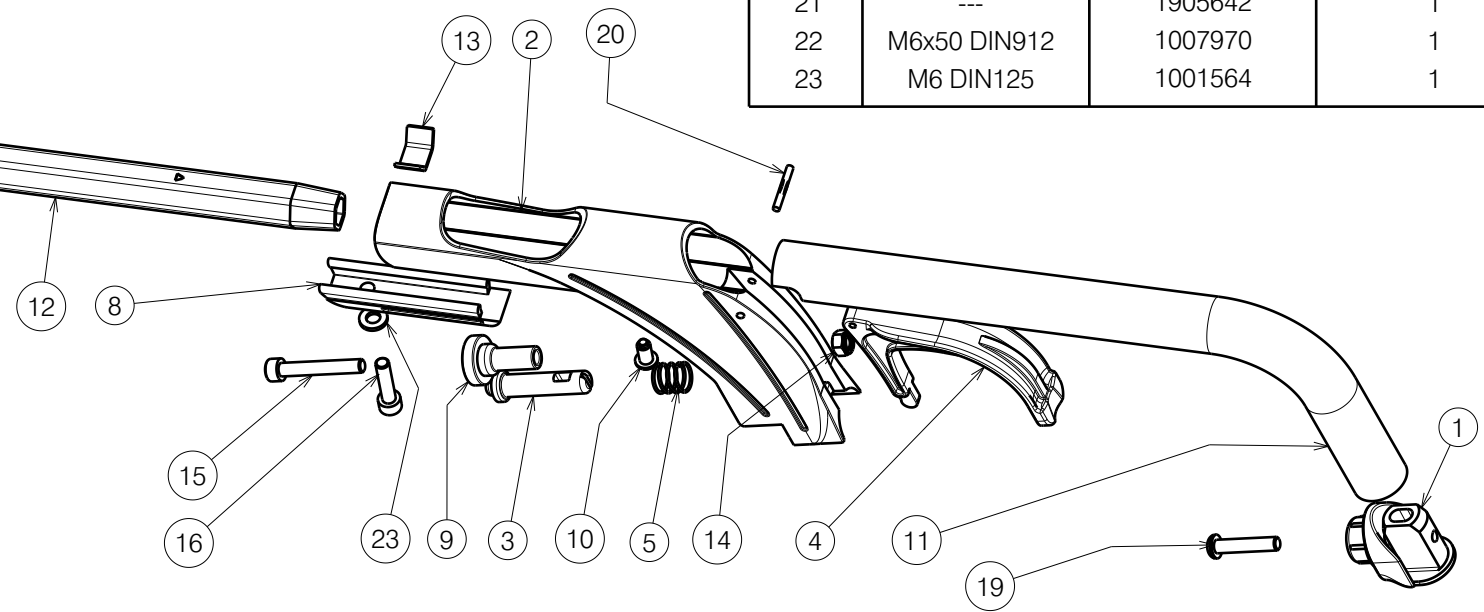


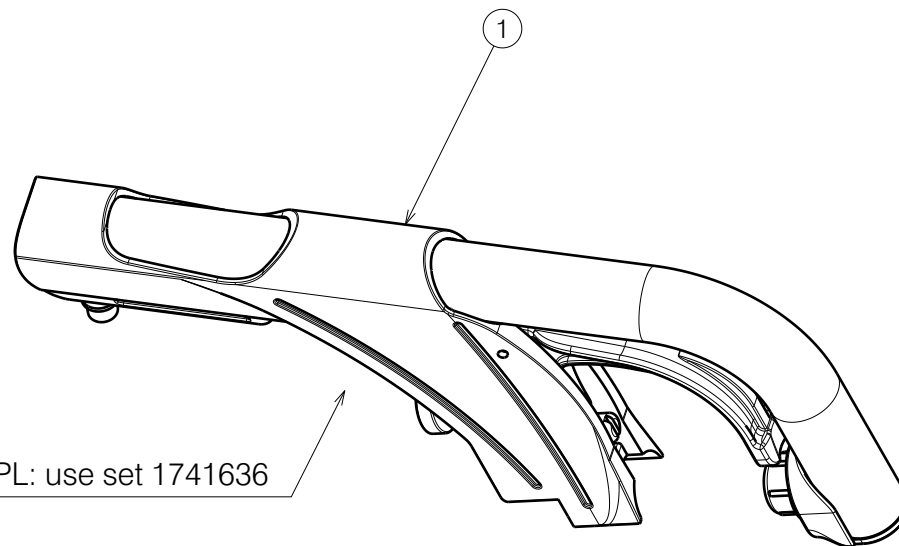
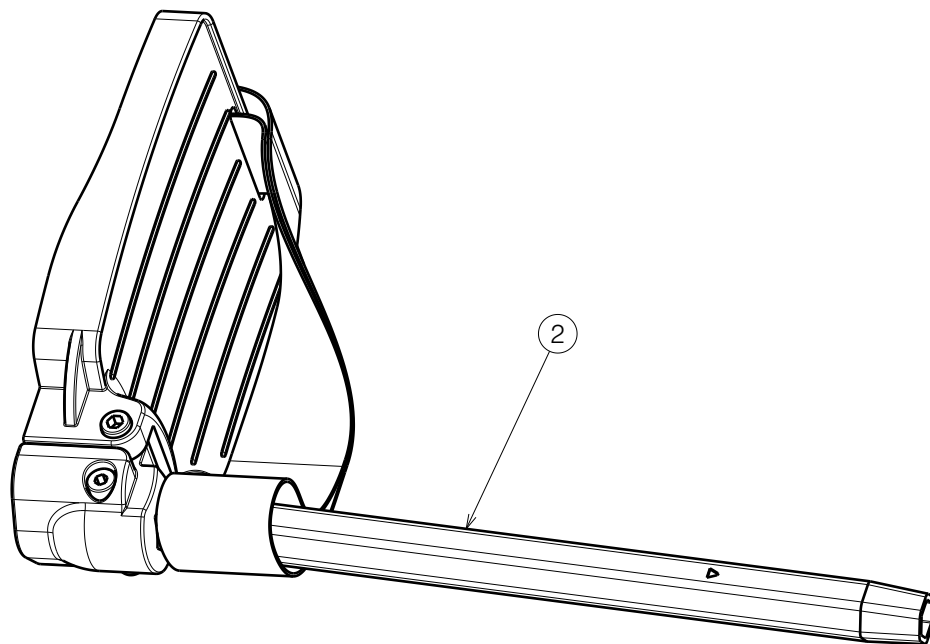
Material			
No. / Nr.	Plan	Article / Artikel	Quantity / Aantal
1	X004414	1904130	1
2	X004416	1904202	1
3	X004417	1719200	1
4	X004418	1904207	1
5	X004423	1717300	1
6	X004454	1904474	1
7	X004570	1904646(L)	(39-42) 1
	X004571	1904647(R)	(39-42) 1
	X004457	1904475(L)	(44-46) 1
	X004453	1904210(R)	(44-46) 1
	X004572	1904648(L)	(48-60) 1
	X004573	1904649(R)	(48-60) 1

Material			
No. / Nr.	Plan	Article / Artikel	Quantity / Aantal
8	X004658	1904968	1
9	X004660	1905195	1
10	X004687	1905639	1
11	Y015007	17300..	1
12	Y015063	F006157	1
13	Y016501	1733500	1
14	M6 DIN985	1001680	1
15	M6x40 DIN912	1003909	1
16	M6x25 DIN912	1001494	1
17	M6x35 DIN912	1001496	1
18	M6 DIN986	1008492	2
19	M6x30 ISO7380	1009588	1
20	Ø3X24 DIN1475	1905640	1
21	---	1905642	1
22	M6x50 DIN912	1007970	1
23	M6 DIN125	1001564	1



E000616 / J

FOOTREST B06 TYPE V100				Plan No. / Plannr.
Sheet 1/2				E000616 / J
Scale / Schaal: 3:10	Drafted / Getekend	Verified / Nagezien	Confirmed / Bevestigd	
Date / Datum	20/04/2010	19/08/2021	19/08/2021	
Init. / Init.	TM	SD	PJ	




For assembly in PL: use set 1741636

BOM			
No. / Nr.	Plan	Article / Artikel	Quantity / Aantal
1	Butt set	17416..	2
2	Size 39-42	1906150	1
	Size 44-46	1906151	1
	Size 48-50	1906152	1

Quantities are for one pair

E000616 / J

FOOTREST B06 TYPE V100				Plan No. / Plannr. E000616 / J
Sheet 2/2				
Scale / Schaal: 3:10	Drafted / Getekend	Verified / Nagezien	Confirmed / Bevestigd	
Date / Datum	20/04/2010	19/08/2021	19/08/2021	
Init. / Init.	TM	SD	PJ	