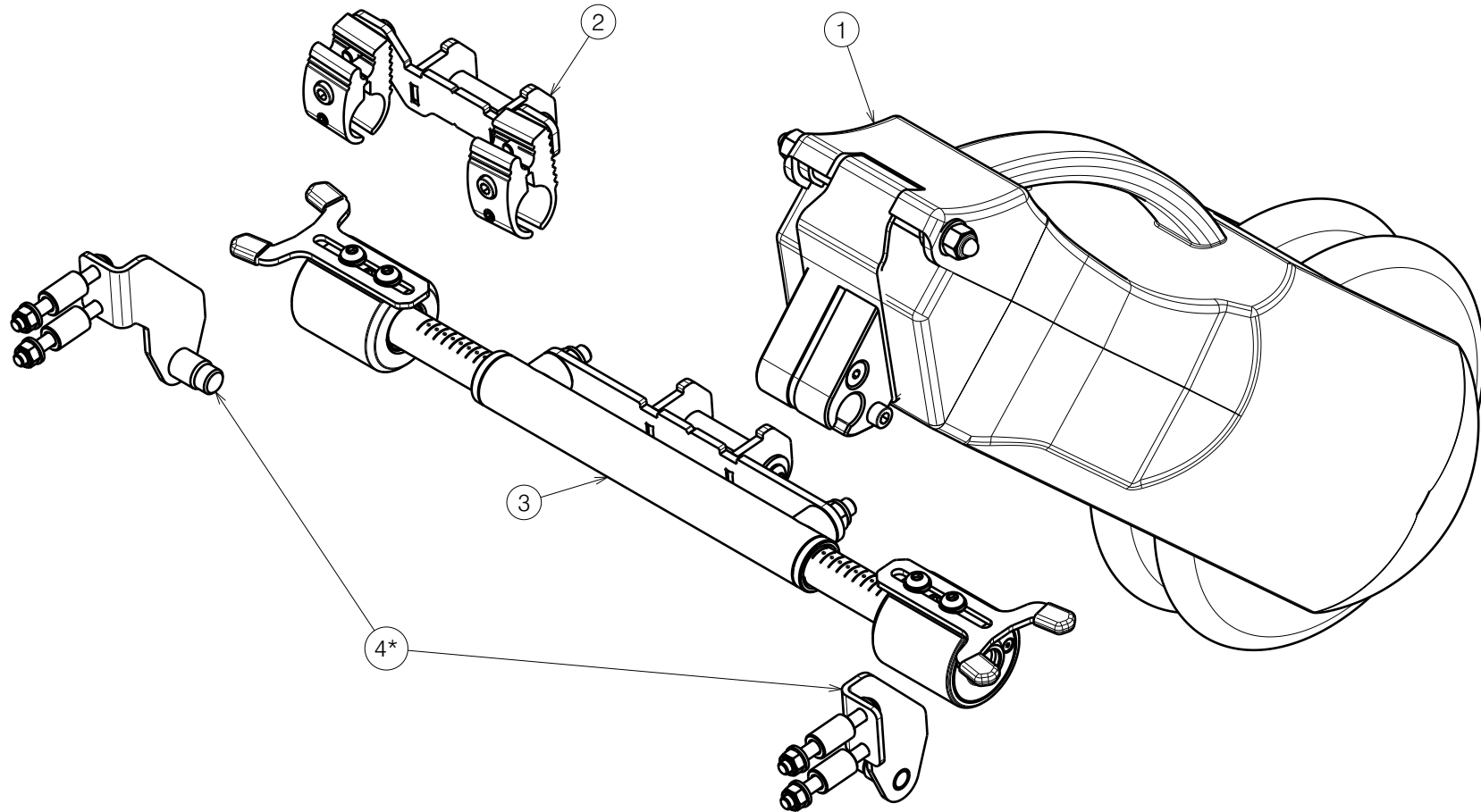


FOLDABLE WHEELCHAIRS (V500, TRIGO...)			
No.	Plan	Article	Quantity
1	E00117050	-	1
3	E00117199	-	1
4*	E00117115	-	1

* - option for Trigo

WHEELCHAIRS WITH BAR BETWEEN WHEELS (SAGITTA...)			
No.	Plan	Article	Quantity
1	E00117050	-	1
2	E00117005	-	1



NOTICE: THE INFORMATION CONTAINED ON THIS DRAWING IS PROPRIETARY TO VERMEIREN GROUP AND SHALL NOT BE DISCLOSED IN WHOLE OR IN PART, OR USED FOR ANY DESIGN OR MANUFACTURE, EXCEPT WHEN SUCH USER POSSESSES DIRECT WRITTEN AUTHORISATION FROM VERMEIREN GROUP.

MOOST EV				-
				Plan No. E00117117/A.1
Scale: 1:3	Drafted	Verified	Confirmed	
Date	23/10/2025	23/10/2025	23/10/2025	
Initials	DR	AS	AS	