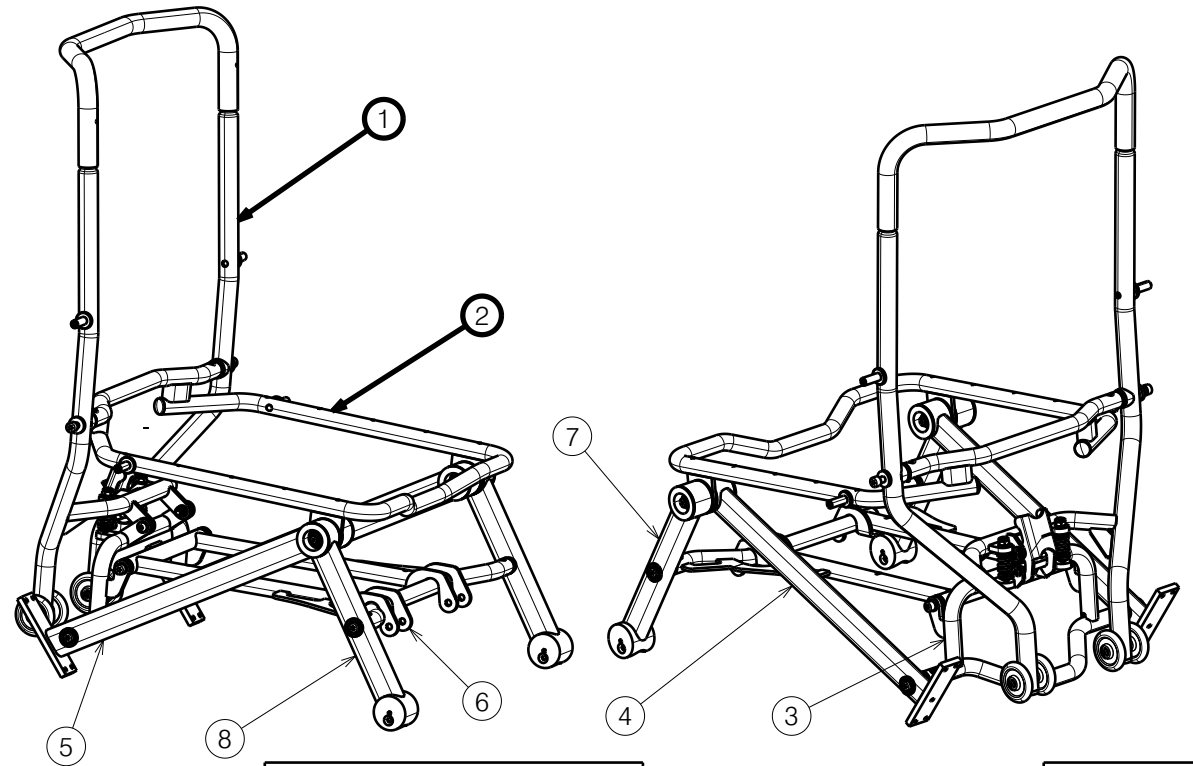


No.	Plan	Article	Qty	26	Cap D22	1990648	2
1	E00062353	2997976	1	27	M6x12 ISO 7380	3992768	2
2	P00052625	2673765	1	28	P00053714	GP29100	1
3	P00052669	2674165	1	29	M8X75 DIN912 BLACK	2994374	2
4	P00052619	2673565	1	30	P00069216	2998122	4
5	P00053330	2673465	1				
6	P00052635 DP	2673865	1				
7	P00053331	2673365	1				
8	P00053221	2673265	1				
9	X000106	G003218	2				
10	P00052627	2997827	4				
11	P00052597	2997829	4				
12	P00052799	2997828	4				
13	P00053093	GP28700	2				
14	P00052802	2674400	2				
15	P00052801	26743	4				
16	Nut low M12X1,25	1994605	4				
17	---	2998002	4				
18	---	2998121	4				
19	Washer M8 DIN125B	2994914	10				
20	M8X40 DIN912 BLACK	3991566	6				
21	M8X30 ISO7380 BLACK	2995396	2				
22	NUT M8 DIN985	1996213	2				
23	Washer PA6 M8 DIN125	2994415	2				



NOTICE: THE INFORMATION CONTAINED ON THIS DRAWING IS PROPRIETARY TO VERMEIREN GROUP AND SHALL NOT BE DISCLOSED IN WHOLE OR IN PART, OR USED FOR ANY DESIGN OR MANUFACTURE, EXCEPT WHEN SUCH USER POSSESSES DIRECT WRITTEN AUTHORISATION FROM VERMEIREN GROUP

Sheet 1/5

BOM PLEGO FRAME

Plan No.

E00063648/E.1

Scale: 1:10

Drafted

Verified

Confirmed

Date

27/09/2023

05/02/2024

05/02/2024

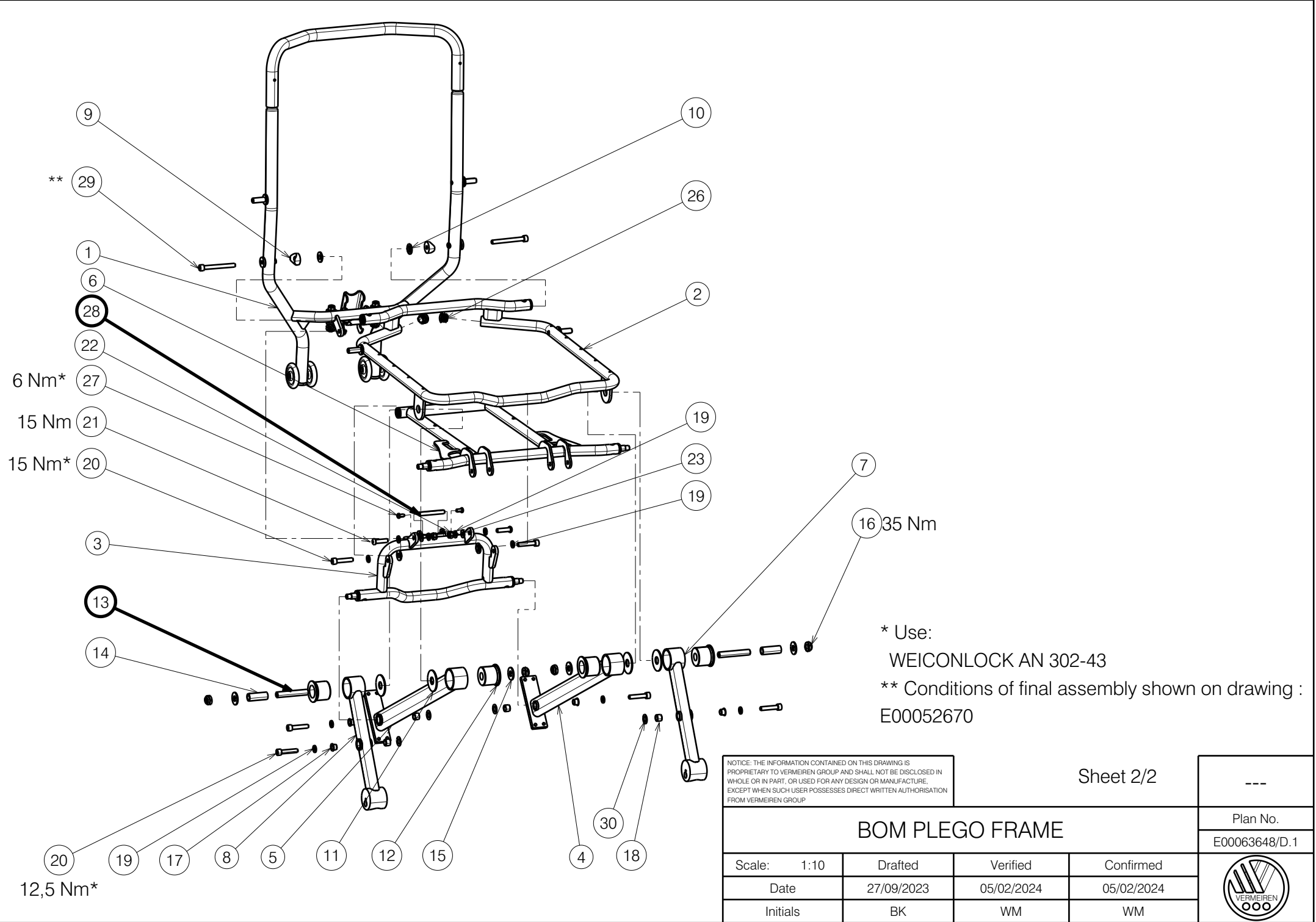
Initials

BK

WM

WM





* Use:
WEICONLOCK AN 302-43

** Conditions of final assembly shown on drawing :
E00052670

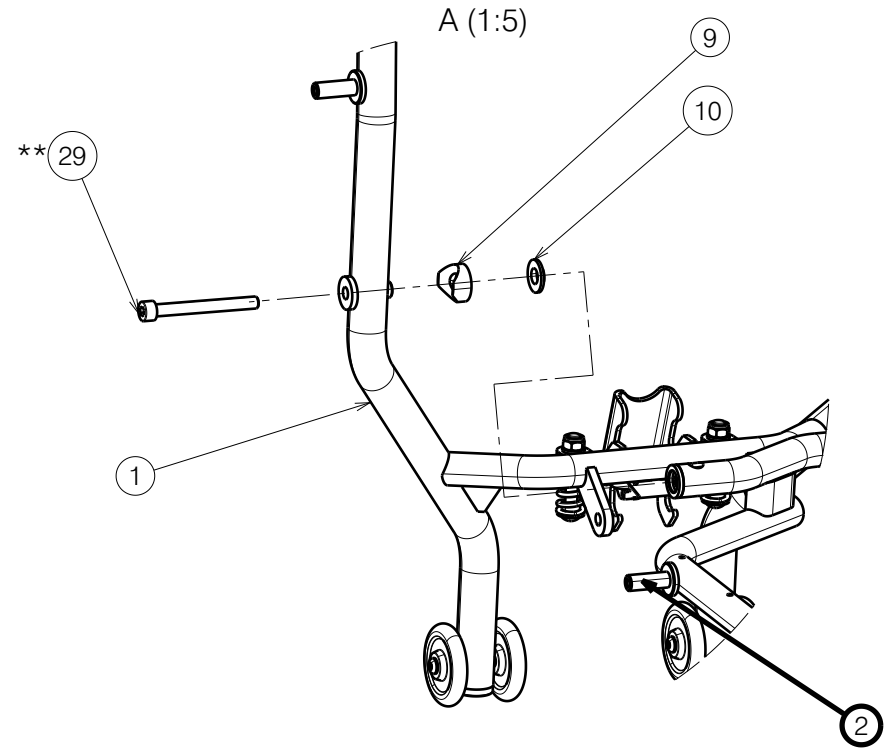
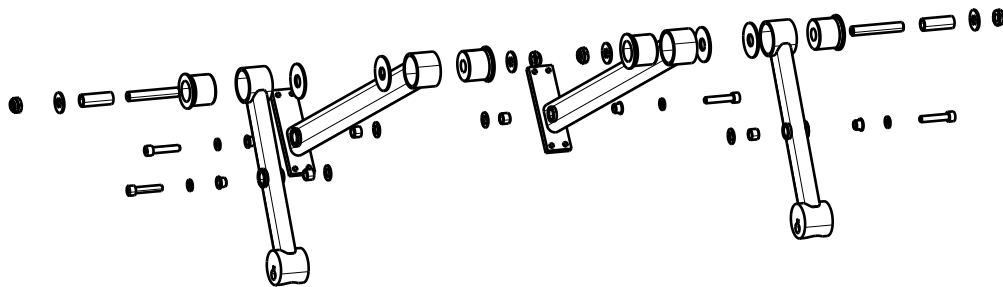
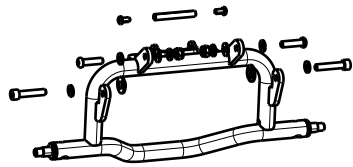
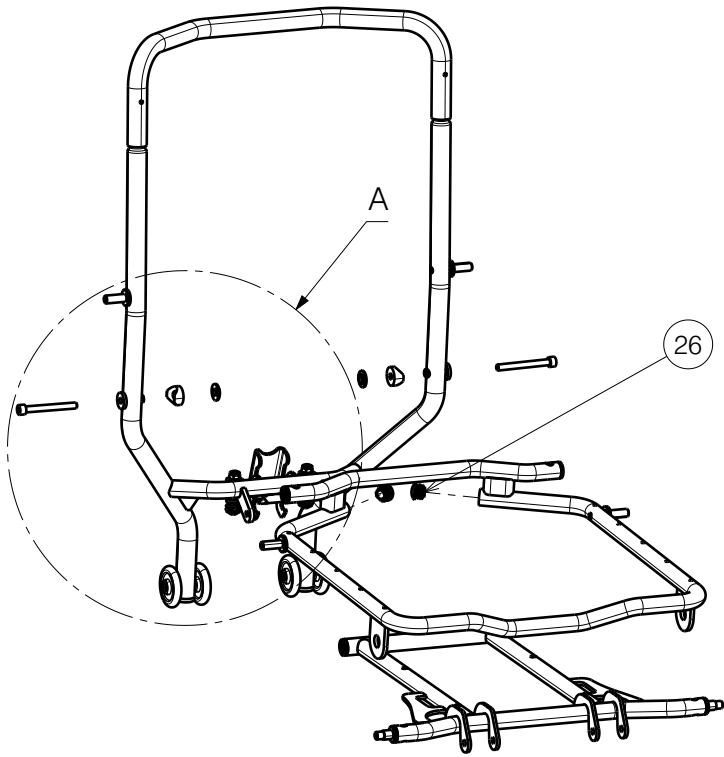
NOTICE: THE INFORMATION CONTAINED ON THIS DRAWING IS PROPRIETARY TO VERMEIREN GROUP AND SHALL NOT BE DISCLOSED IN WHOLE OR IN PART, OR USED FOR ANY DESIGN OR MANUFACTURE, EXCEPT WHEN SUCH USER POSSESSES DIRECT WRITTEN AUTHORISATION FROM VERMEIREN GROUP.

Plan No.
E00063648/D.1

BOM PLEGO FRAME

Scale: 1:10	Drafted	Verified	Confirmed
Date	27/09/2023	05/02/2024	05/02/2024
Initials	BK	WM	WM

12,5 Nm*



* Use:

WEICONLOCK AN 302-43

** Conditions of final assembly shown on drawing :
E00052670

NOTICE: THE INFORMATION CONTAINED ON THIS DRAWING IS PROPRIETARY TO VERMEIREN GROUP AND SHALL NOT BE DISCLOSED IN WHOLE OR IN PART, OR USED FOR ANY DESIGN OR MANUFACTURE, EXCEPT WHEN SUCH USER POSSESSES DIRECT WRITTEN AUTHORISATION FROM VERMEIREN GROUP.

Sheet 3/5

BOM PLEGO FRAME

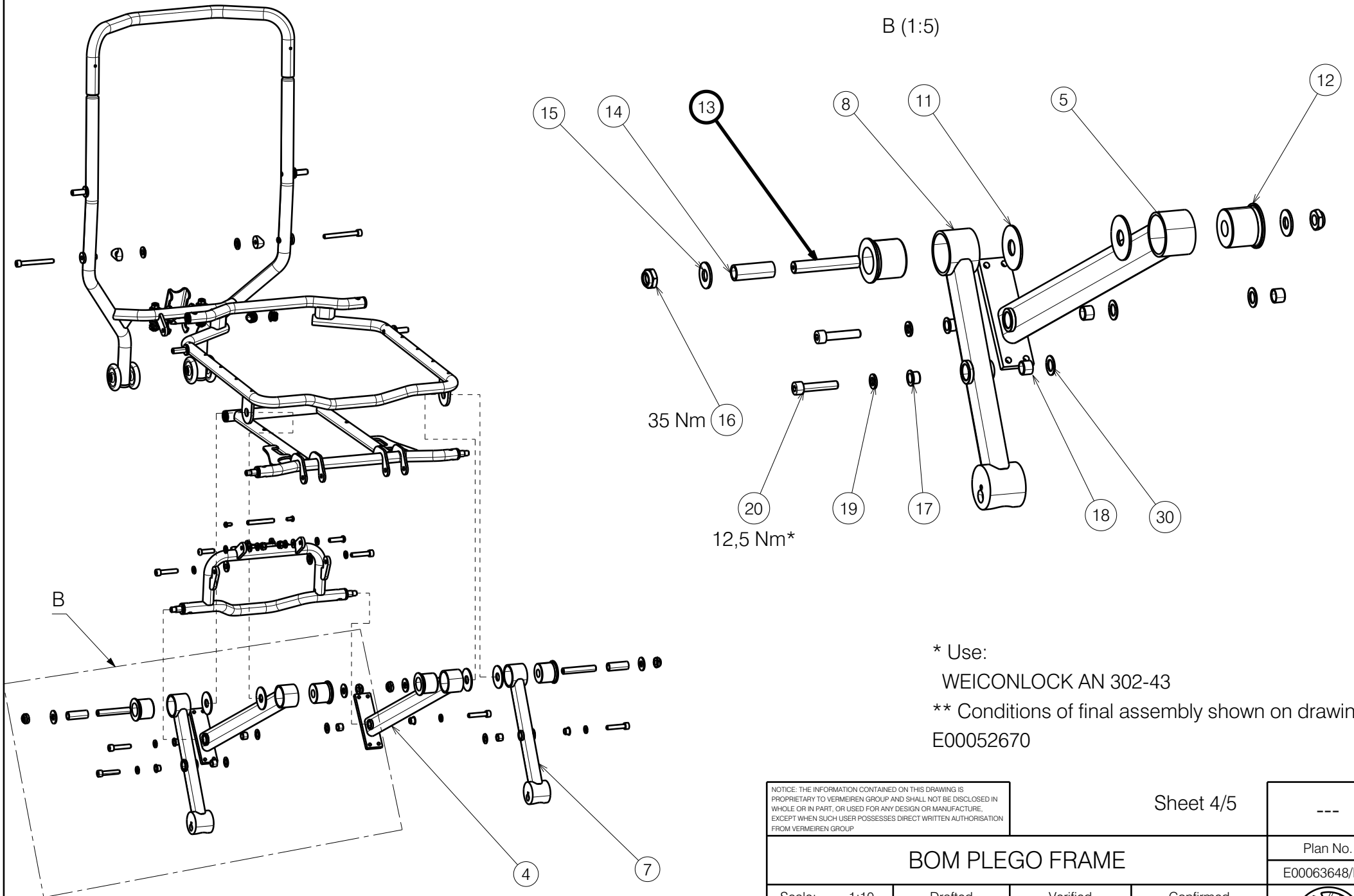
Plan No.

E00063648/D.1

Scale: 1:10	Drafted	Verified	Confirmed
Date	27/09/2023	05/02/2024	05/02/2024
Initials	BK	WM	WM



B (1:5)



* Use:

WEICONLOCK AN 302-43

** Conditions of final assembly shown on drawing :
E00052670

NOTICE: THE INFORMATION CONTAINED ON THIS DRAWING IS PROPRIETARY TO VERMEIREN GROUP AND SHALL NOT BE DISCLOSED IN WHOLE OR IN PART, OR USED FOR ANY DESIGN OR MANUFACTURE, EXCEPT WHEN SUCH USER POSSESSES DIRECT WRITTEN AUTHORISATION FROM VERMEIREN GROUP.

Sheet 4/5

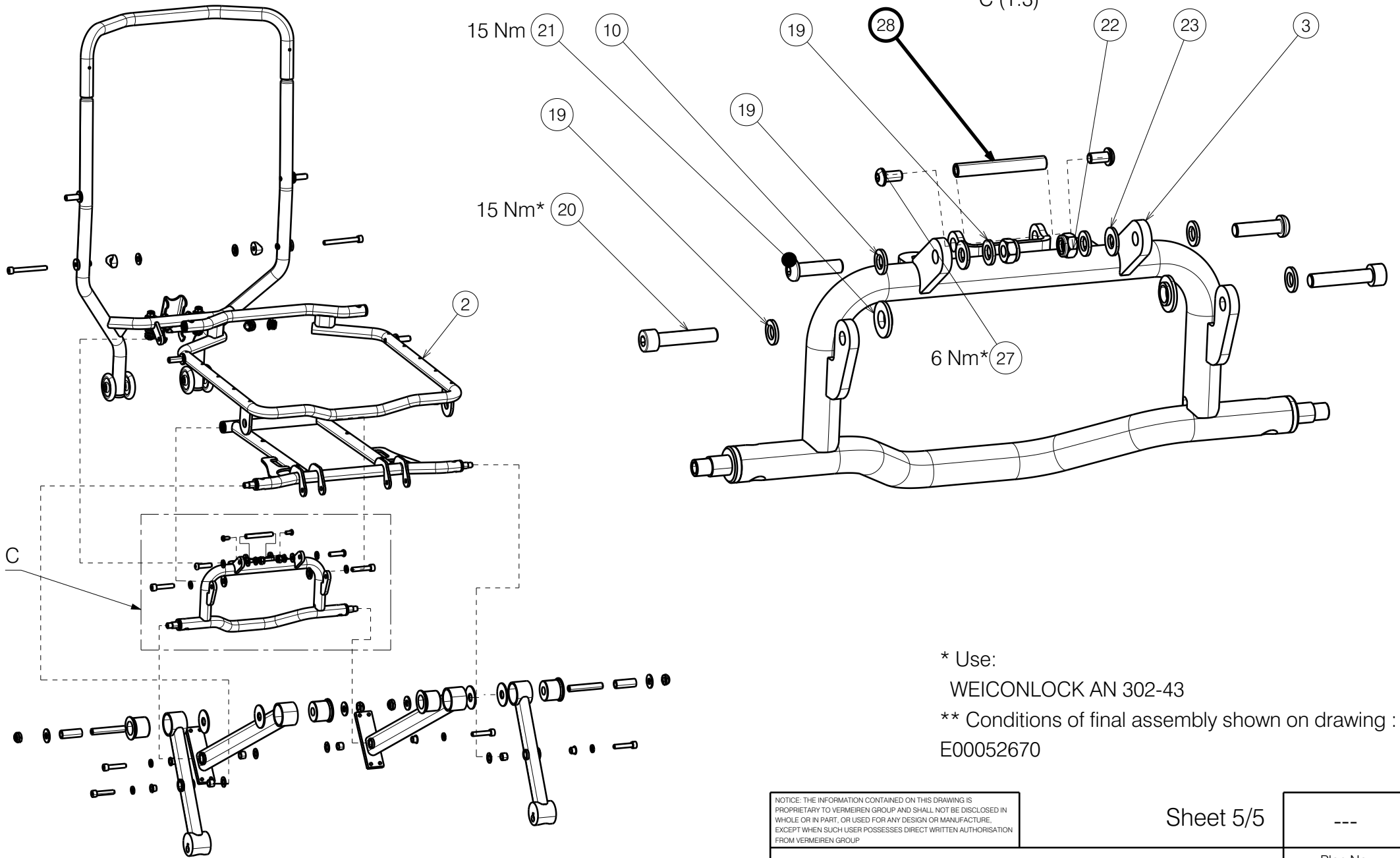
BOM PLEGO FRAME

Plan No.

E00063648/D.1

Scale:	1:10	Drafted	Verified	Confirmed
Date	27/09/2023	05/02/2024	05/02/2024	
Initials	BK	WM	WM	





* Use:
WEICONLOCK AN 302-43
** Conditions of final assembly shown on drawing :
E00052670

NOTICE: THE INFORMATION CONTAINED ON THIS DRAWING IS PROPRIETARY TO VERMEIREN GROUP AND SHALL NOT BE DISCLOSED IN WHOLE OR IN PART, OR USED FOR ANY DESIGN OR MANUFACTURE, EXCEPT WHEN SUCH USER POSSESSES DIRECT WRITTEN AUTHORISATION FROM VERMEIREN GROUP.

Sheet 5/5

BOM PLEGO FRAME

Plan No.

E00063648/D.1

Scale: 1:10	Drafted	Verified	Confirmed
Date	27/09/2023	05/02/2024	05/02/2024
Initials	BK	WM	WM

