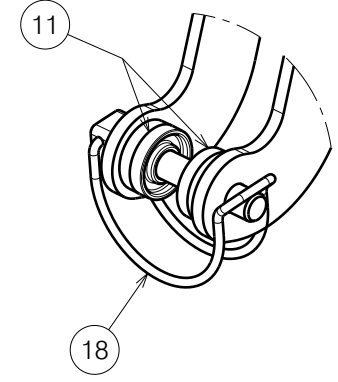
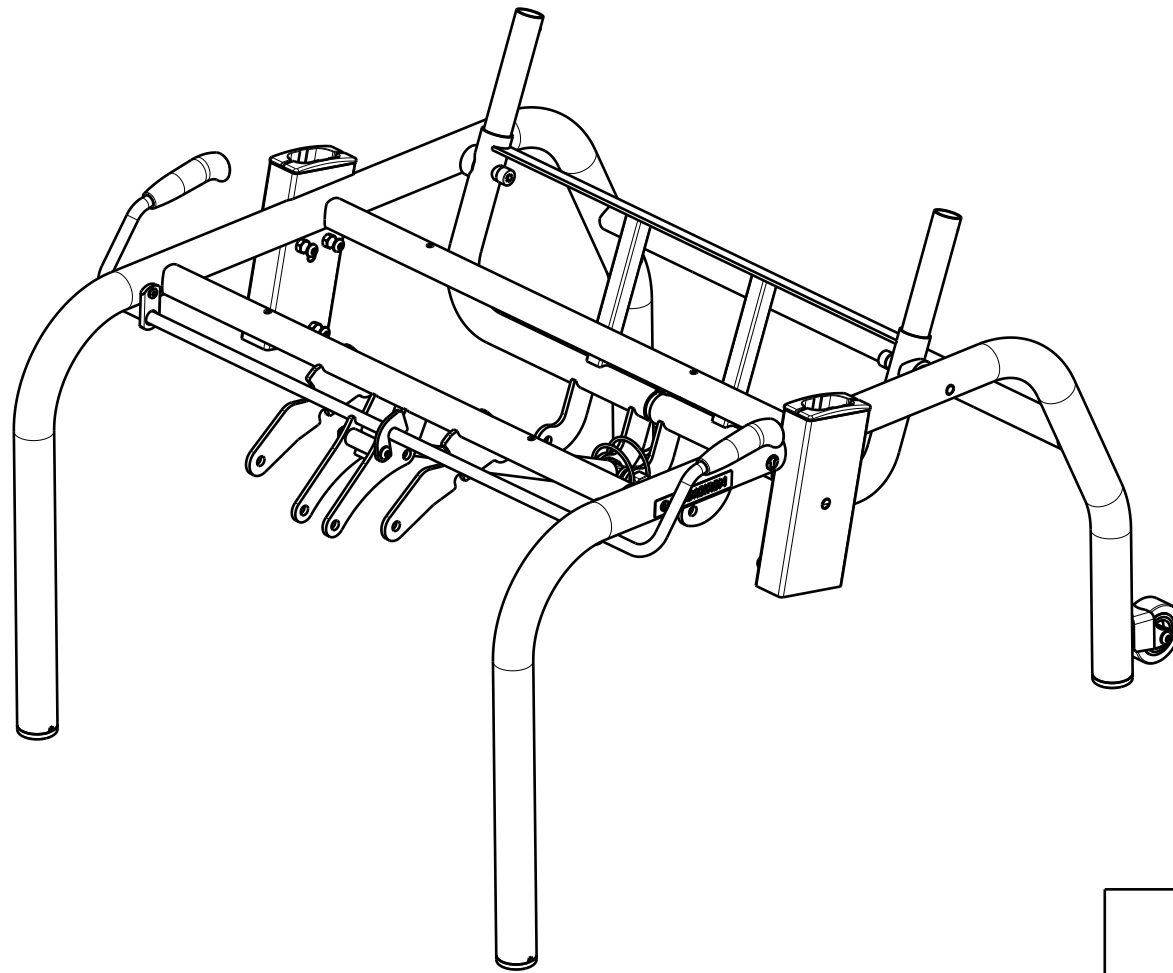


A (1:2)




EP00560 / D

LOWER FRAME / LANGUEDOC 2020				Plan No.
				1/2 EP00560/ D
Scale: 1:6	Drafted	Verified	Confirmed	
Date	01/02/2021	25/05/2023	25/05/2023	
Initials	AZ	AZ	TK	



Material			
No.	Plan	Article	Quantity
1	Y000462	F000050	2
2	Y012249	1667265	2
3	YP08803	2627965	1
4*	YP08830 (Method 1)	2628065	1
	YP08895 (Method 2)	2629465	1
5	YP08858DP	2629865	1
6	YP08901	2629600	1
7	X000106	G003218	2
8	X000273	G060600	2
9	X000319	G080200	1
10	X001296	G065155	1
11	X002480	1993793	2
12	X004485 (Black)	1903994	2
13	X005930 (Black)	1916350	4
14	Cap D32	1001610	4
15	M6 DIN934	1001670	8
16	M10 DIN439B	1903216	1
17	Sticker Arrow	1903223	2
18	Pin D8x45	1993594	1
19	Wheel D50 (Black)	1917917	2
20	M6 DIN985	1001680	3
21	D6,4 DIN125	1001564	4
22	M6x40	1006111	2
23	M6x12	1007000	8
24	M8x16 DIN912	1001498	2
25	Sticker Vermeiren	T001051	2
26	M6x50	1006997	1
27	D4X20	1991373	2
28	M8x60 DIN912	1997781	2
29	Gas Spring 150N	1917602	1

EP00560 / D

LOWER FRAME / LANGUEDOC 2020				Plan No.
				2/2 EP00560 / D
Scale: 1:6	Drafted	Verified	Confirmed	
Date	01/02/2021	25/05/2023	25/05/2023	
Initials	AZ	AZ	TK	