

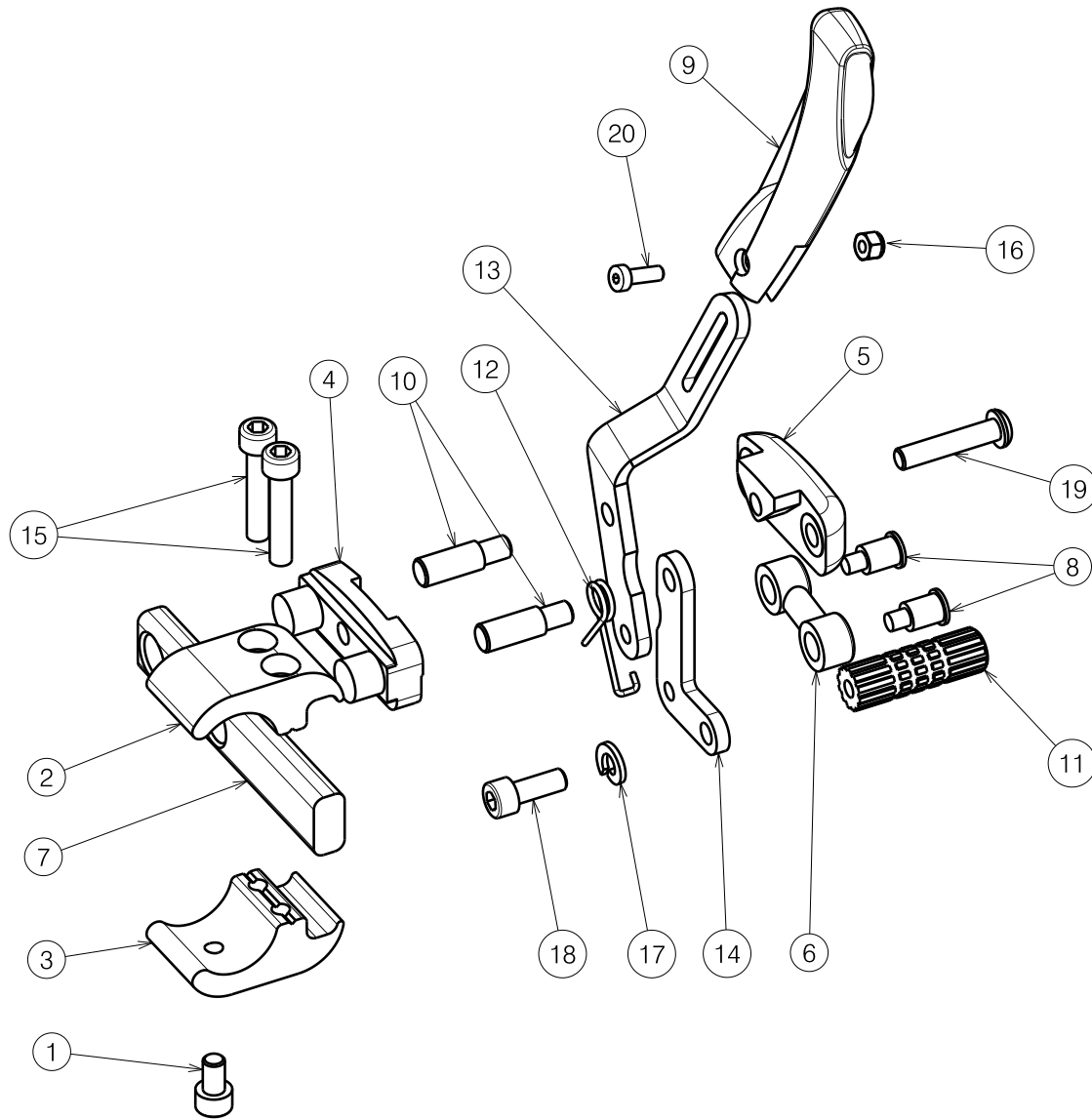
Material			
No.	Plan	Article	Quantity
1	X002112	1001491	1
2	X002115	1552682	1
3	X002116	1552782	1
4	X002139	1992426	1
5	X002140	1992427	1
6	X002141	1992435	1
7	X002155	1552582	1
8	X002165	1488300	2
9	X004719	1907581	1
10	X005276	1793900	2
11	X005277	17938	1
12	X005305	1910032	1
13	Y017665	1763854	1
14	Y020193	1794054	1
15	M6x30 DIN912	1001495	2
16	M4 DIN985	1001678	1
17	M6 DIN127B	1004414	1
18	M6x16 DIN912	1001492	1
19	M6x30 ISO7380	1009588	1
20	M4x12 DIN7984	1907582	1

Sheet 1/2

1908997

E000974 / B

V100 / V200 BRAKE B40 / B74				Plan No.
Left side				E000974 / B
Scale: 1:2	Drafted	Verified	Confirmed	
Date	13/11/2014	20/11/2014	20/11/2014	
Initials	SD	SD	PJ	



Material			
No.	Plan	Article	Quantity
1	X002112	1001491	1
2	X002115	1552682	1
3	X002116	1552782	1
4	X002139	1992426	1
5	X002140	1992427	1
6	X002141	1992435	1
7	X002155	1552582	1
8	X002165	1488300	2
9	X004719	1907581	1
10	X005276	1793900	2
11	X005277	17938	1
12	X005306	1910033	1
13	Y017664	1763954	1
14	Y020193	1794054	1
15	M6x30 DIN912	1001495	2
16	M4 DIN985	1001678	1
17	M6 DIN127B	1004414	1
18	M6x16 DIN912	1001492	1
19	M6x30 ISO7380	1009588	1
20	M4x12 DIN7984	1907582	1

Sheet 2/2

1908998

E000974 / B

V100 / V200 BRAKE B40 / B74 Right side				Plan No.
				E000974 / B
Scale: 1:2	Drafted	Verified	Confirmed	
Date	13/11/2014	20/11/2014	20/11/2014	
Initials	SD	SD	PJ	