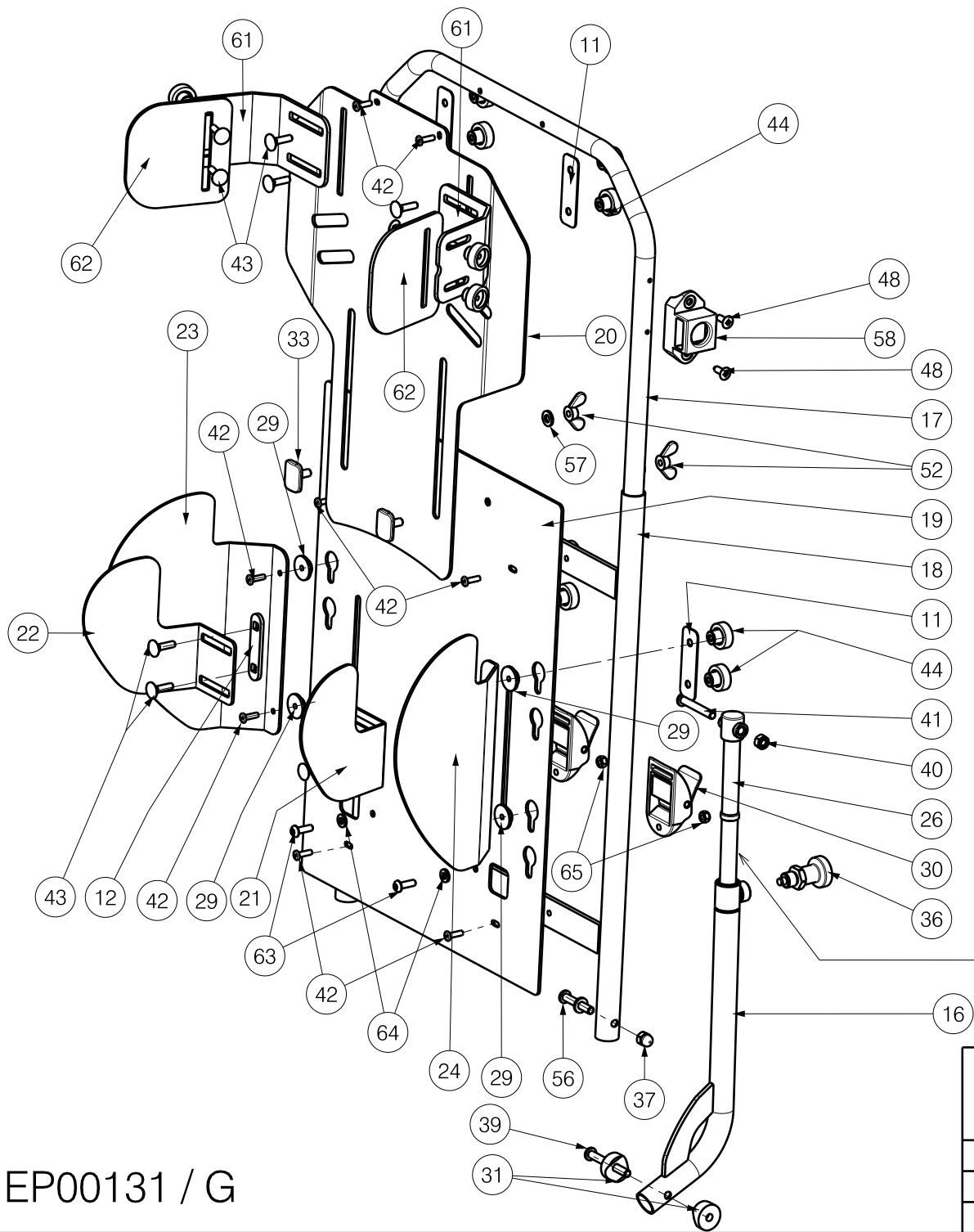



EP00131/G

<h2 style="text-align: center;">Seat Frame   Gemini 2 /40</h2> <p style="text-align: right;">Page 1/3</p>				Plan No.
				EP00131 / G
Scale: 1:6	Drafted	Verified	Confirmed	
Date	16/11/2013	19/07/2018	19/07/2018	
Initials	AS	AZ	TK	



Use grease on working part/  
 Uzywac smaru na czesci pracujacej

EP00131 / G

Seat Frame   Gemini 2 /40				Plan No.
Page 2/3				EP00131 / G
Scale: 1:6	Drafted	Verified	Confirmed	
Date	16/11/2013	19/07/2018	19/07/2018	
Initials	AS	AZ	TK	

Material			
No.	Plan	Article	Quantity
1	YP04444	28538	1
2	YP04561	28832	1
3	YP04617	28836	1
4	YP04575	28680	1
5	YP04574	28679	1
6	YP04618	27032	2
7	YP04554	28837	1
8	YP04555	28838	1
9	YP04557	28544	1
10	YP04558	28686	1
11	YP04319	28524	4
12	YP04320	28523	2
13	YP00511	18153	2
14	YP04502	28678	1
15	YP04334	28516	1
16	YP04579	28685	1
17	YP04583	28687	1
18	YP04584	28688	1
19	YP04578	28684	1
20	YP04577	28683	1
21	YP04567	28674	1
22	YP04566	28673	1
23	YP04585	28691	1
24	YP04586	28692	1
25	X000586	1005742	2
26	XP01099	28660	1
27	XP01119	2883900	2
28	XP00227	2990147	10
29	XP00233	2990144	4
30	---	2992529	2
31	XP00200	2990129	2
32	XP00817	2991001	1
33	XP00140	2990097	6
34	X002137	1992415	2
35	X000106	G003218	6

Material			
No.	Plan	Article	Quantity
36	Plunger_GN60	2990150	1
37	---	1008492	10
38	M6x16	1008459	8
39	M6x55	1997879	3
40	M8	1001680	14
41	M6x40	1006111	3
42	Rivet_4x14	1001584	10
43	M5x20	2991056	12
44	---	2991057	12
45	---	1993891	2
46	---	2990091	2
47	---	1992721	2
48	---	2990326	4
49	---	1001564	16
50	---	1996843	2
51	M6x55	1997879	2
52	M6	1001520	6
53	---	1001598	2
54	---	1003299	0,5m
55	---	2990105	4
56	---	1006057	2
57	---	1000973	12
58	---	2990099	2
59	---	1994752	4
60	XP01287	2992330	1
61	YP04295	28530	2
62	YP04635	28841	2
63	M5x16	1006112	2
64	---	1001550	2
65	---	1001679	2
66	---	2992354	2

EP00131 / G

Seat Frame   Gemini 2 /40				Plan No.
Page 3/3				EP00131 / G
Scale: 1:6	Drafted	Verified	Confirmed	
Date	16/11/2013	19/07/2018	19/07/2018	
Initials	AS	AZ	TK	