

Left side

Material			
No.	Plan	Article	Quantity
1	X002112	1001491	1
2	X002115	1552682	1
3	X002116	1552782	1
4	X002139	1992426	1
5	X002140	1992427	1
6	X002141	1992435	1
7	X002155	1552582	1
8	X002165	1488300	2
9	X005305	1910032	1
10	X004719	1907581	1
11	X005274	17937	1
12	X005276	1793900	2
13	Y017665	1763854	1
14	Y020193	1794054	1
15	M6x16 DIN912	1001492	1
16	M6x30 ISO7380	1009588	1
17	M6x30 DIN912	1001495	2
18	M4 DIN985	1001678	1
19	M6 DIN127	1004414	1
20	M4x12 DIN7984	1907582	1

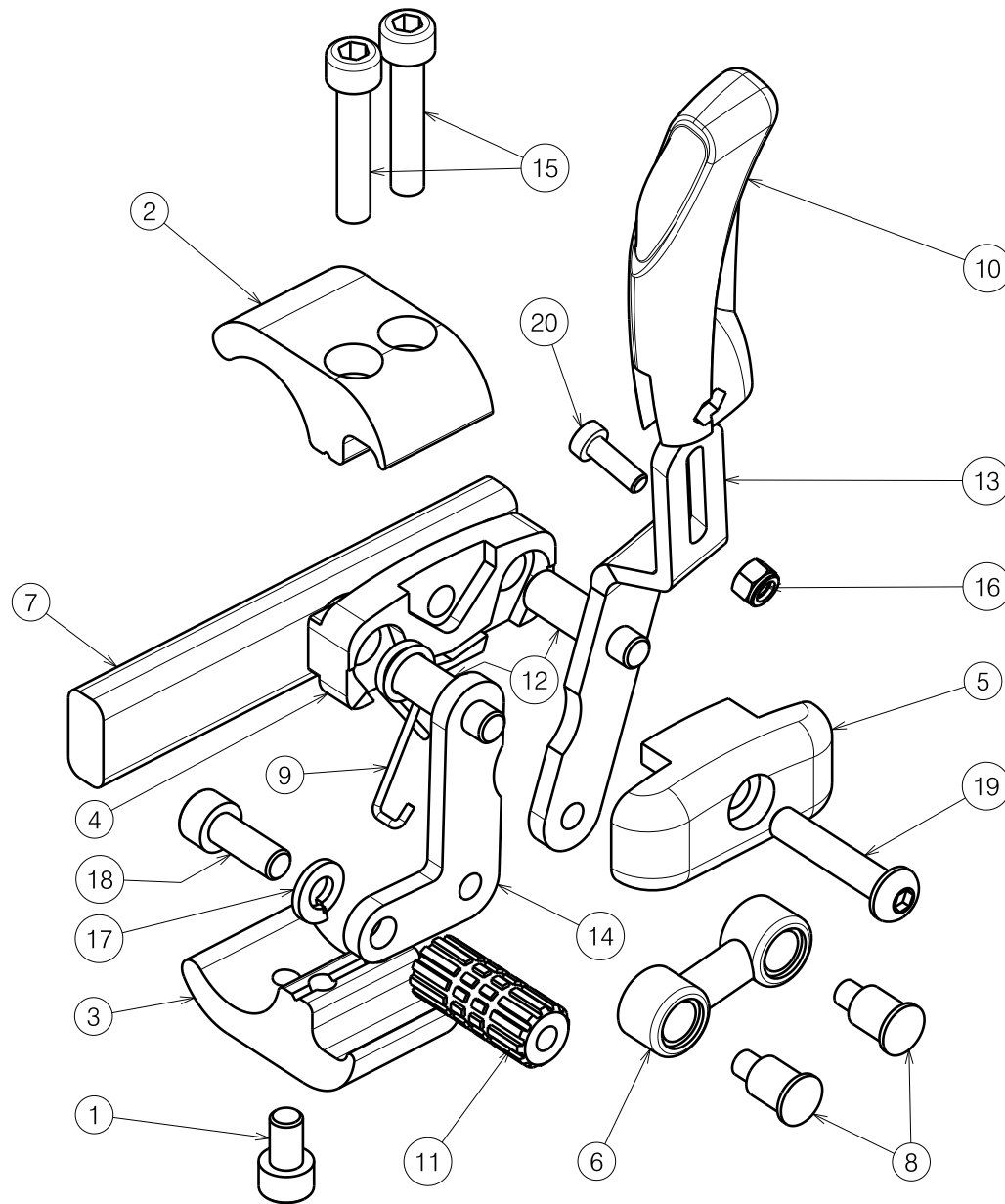
Sheet 1/2

1908217

E000894 / E

BRAKE B40 V-SERIES 2013				Plan No.
				E000894 / E
Scale: 3:4	Drafted	Verified	Confirmed	
Date	31/10/2013	22/04/2015	22/04/2015	
Initials	SD	TT	PJ	

Material			
No.	Plan	Article	Quantity
1	X002112	1001491	1
2	X002115	1552682	1
3	X002116	1552782	1
4	X002139	1992426	1
5	X002140	1992427	1
6	X002141	1992435	1
7	X002155	1552582	1
8	X002165	1488300	2
9	X005306	1910033	1
10	X004719	1907581	1
11	X005274	17937	1
12	X005276	1793900	2
13	Y017664	1763954	1
14	Y020193	1794054	1
15	M6x30 DIN912	1001495	2
16	M4 DIN985	1001678	1
17	M6 DIN127	1004414	1
18	M6x16 DIN912	1001492	1
19	M6x30 ISO7380	1009588	1
20	M4x12 DIN7984	1907582	1




Right Side

Sheet 2/2

1908219

E000894 / E

BRAKE B40 V-SERIES 2013				Plan No.
				E000894 / E
Scale: 3:4	Drafted	Verified	Confirmed	
Date	31/10/2013	22/04/2015	22/04/2015	
Initials	SD	TT	PJ	