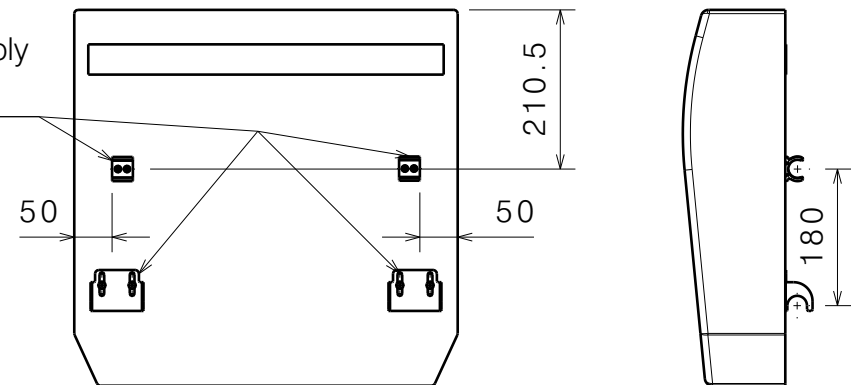


Material / Method 1			
No.	Plan	Article	Quantity
1	YP07227	2760665	2
2	XP00106	2990072	2
3	XP01825	HP00264	1
4*	XP02339	2996481	1
5	XP01826	2993542	1
6	D3,9x16 DIN 7982	1005767	4
7	M6x12	1007000	4
8*	Velcro 40mm black	1905876	0,50 [m]
9	---	1998461	1,60 [m]
10**	Fabric	...	0,65 [m]
11***	---	1005328	0,17 [m]

Fabric 10**		
No.	Colour	Article
1	Blue	1998128
2	Lavender	1997840
3	Brown	1908048
4	Black	1907414
5	Bright grey	1918077

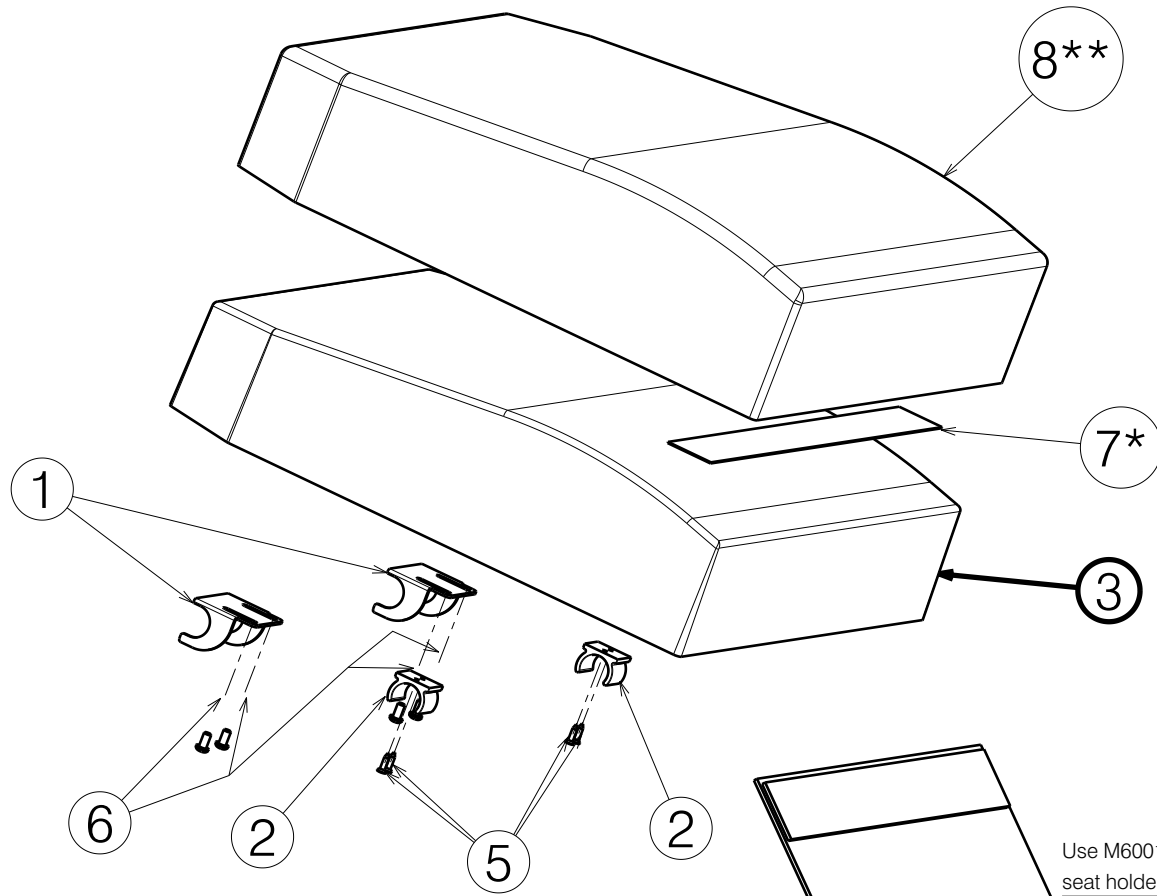
Templates for seat upholstery 10**		
No.	Description	Article
1	Set	2997100
2	Front part	2997101
3	Left part	2997102
4	Right part	2997103
Template for under seat cover 4*		
5	Front/Rear part	2997112



SEAT / NORMANDIE 2020 / LANGUEDOC 2020 / PROVENCE 2020 1/2				Plan No.
Scale: 1:6	Drafted	Verified	Confirmed	EP00531 / H
Date	10/07/2020	07/08/2023	07/08/2023	
Initials	AZ	PM	AZ	

EP00531 / H

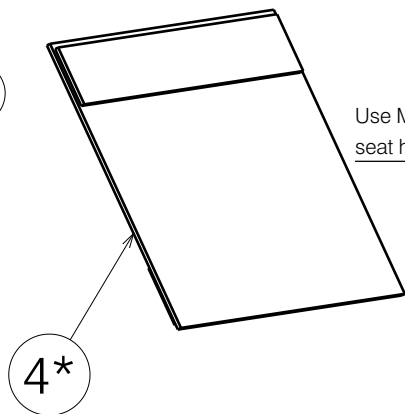
* - only for chair with legrest
 ** - to be chosen by customer
 *** - not depicted



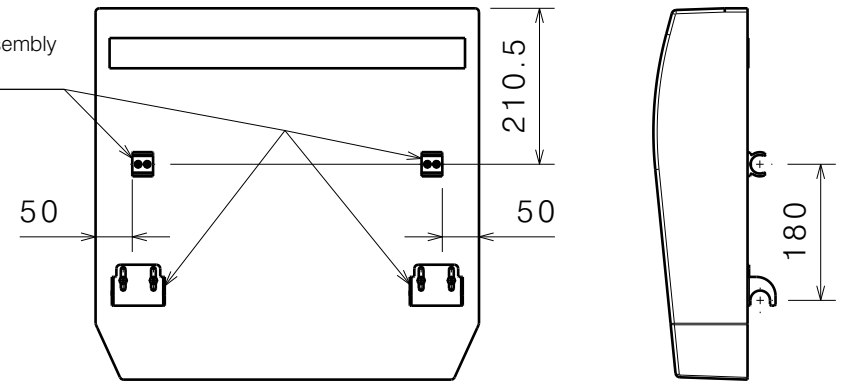
Material / Method 2			
No.	Plan	Article	Quantity
1	YP07227	2760665	2
2	XP00106	2990072	2
3	XP03182	2996806	1
4*	XP02339	2996481	1
5	D3,9x16 DIN 7982	1005767	4
6	M6x12	1007000	4
7*	Velcro 40mm black	1905876	0,50 [m]
8**	Fabric	...	0,65 [m]
9***	---	1005328	0,17 [m]

Fabric 8**		
No.	Colour	Article
1	Blue	1998128
2	Lavender	1997840
3	Brown	1908048
4	Black	1907414
5	Bright grey	1918077

Templates for seat upholstery 8**		
No.	Description	Article
1	Set	2997100
2	Front part	2997101
3	Left part	2997102
4	Right part	2997103
Template for under seat cover 4*		
5	Front/Rear part	2997112



Use M600118 to assembly seat holders



SEAT / NORMANDIE 2020 / LANGUEDOC 2020 / PROVENCE 2020 2/2				Plan No.
Scale: 1:6	Drafted	Verified	Confirmed	EP00531 / H
Date	10/07/2020	07/08/2023	07/08/2023	
Initials	AZ	PM	AZ	

EP00531 / H

* - only for chair with legrest
 ** - to be chosen by customer
 *** - not depicted