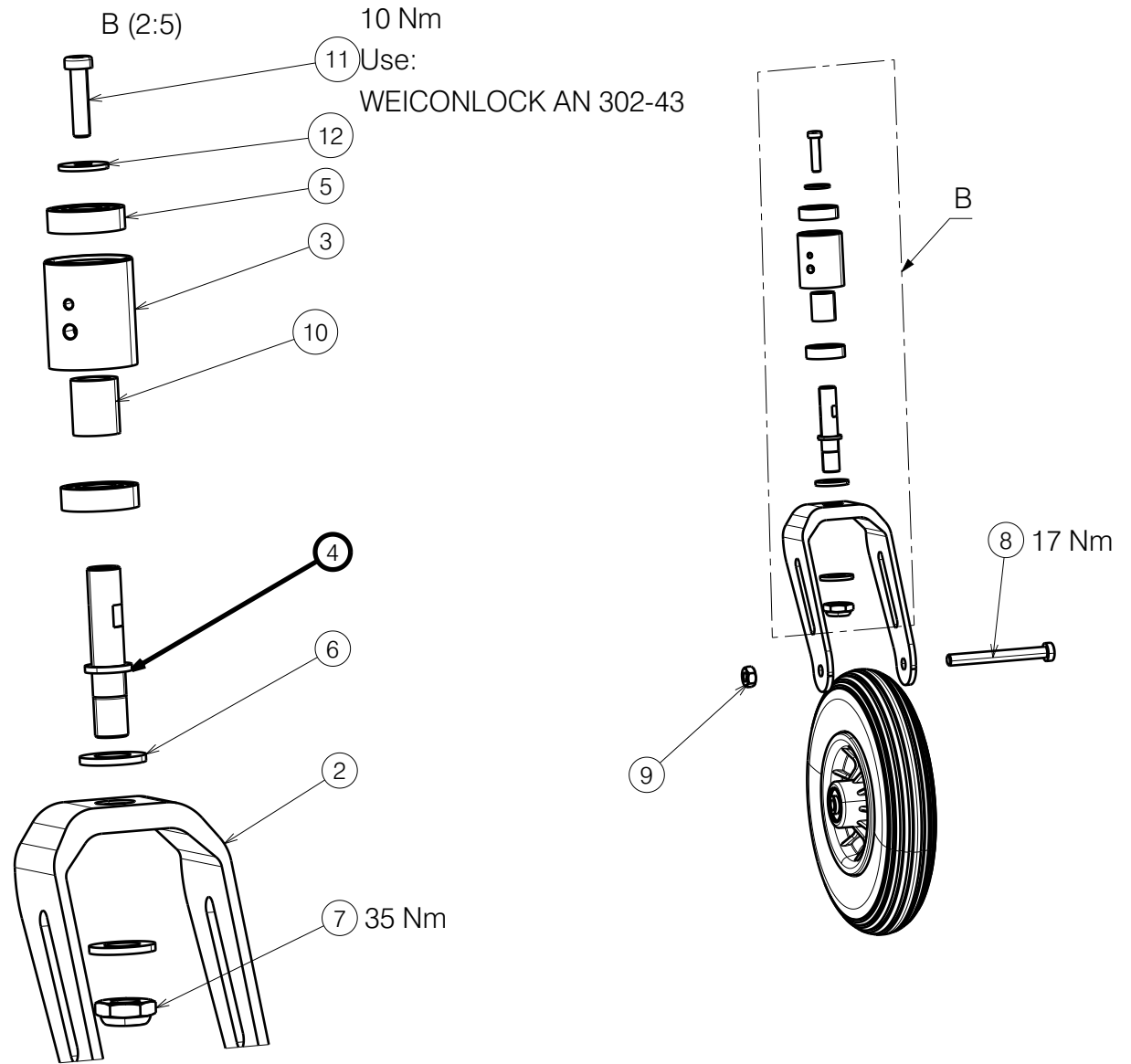


No.	Plan	Article	Qty
1	1916559	1916559	1
2	XC01047	1D053B8 1D053A9 1D053B2 1D053A7 1D053D5 1D05321	1
3	P00052795	GP28800	1
4	P00053219	GP28900	1
5	Bearing 6001 2Z	1992559	2
6	Washer DIN125B	1001561	2
7	Nut low M12X1,25	1994605	1
8	M8X75 DIN912	2994912	1
9	Nut M8	1915942	1
10	P00063243	GP29400	1
11	M6x25 DIN7984	2994897	1
12	Washer M6 DIN9021	2994908	1



NOTICE: THE INFORMATION CONTAINED ON THIS DRAWING IS PROPRIETARY TO VERMEIREN GROUP AND SHALL NOT BE DISCLOSED IN WHOLE OR IN PART, OR USED FOR ANY DESIGN OR MANUFACTURE, EXCEPT WHEN SUCH USER POSSESSES DIRECT WRITTEN AUTHORISATION FROM VERMEIREN GROUP.

Sheet 1/2

FRONT WHEEL PLEGO

Plan No.

E00062349/C.1

Scale: 1:2

Drafted

Verified

Confirmed

Date

20/06/2023

15.11.2024

15.11.2024

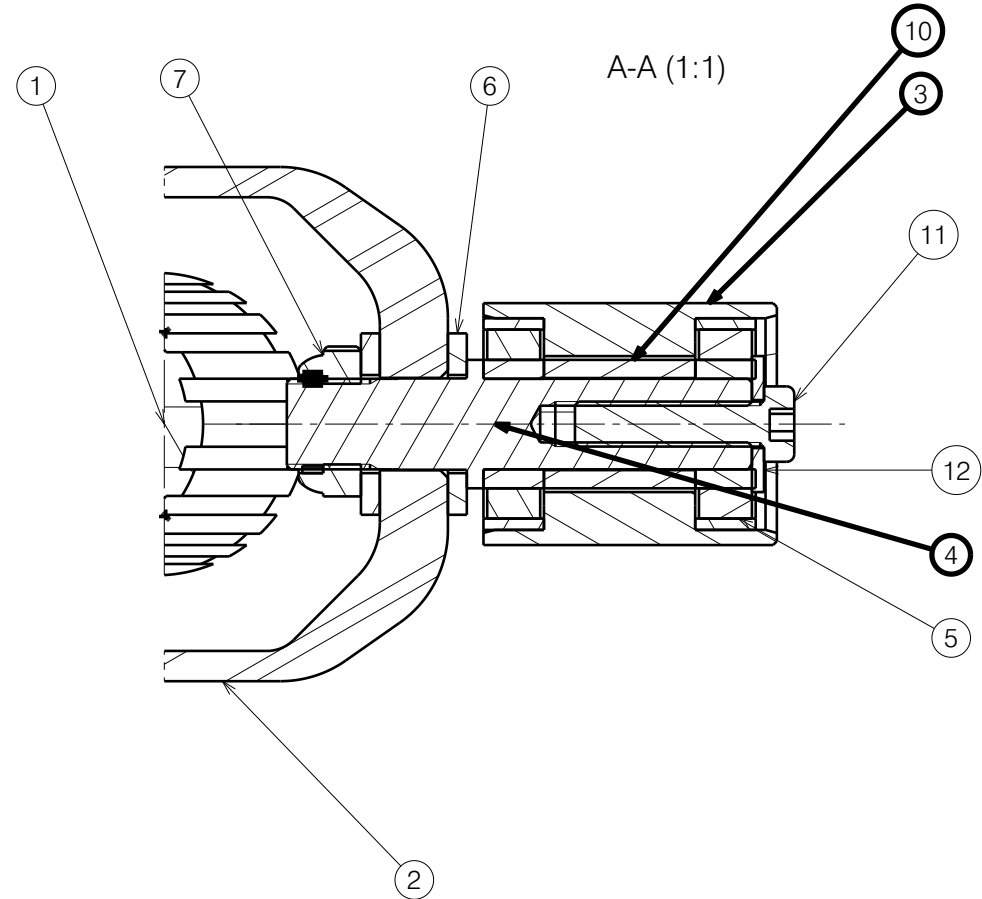
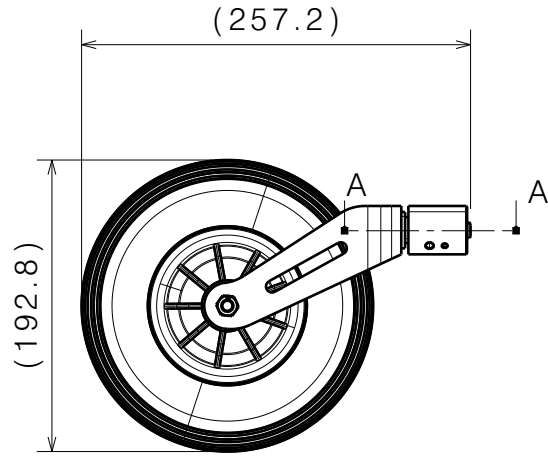
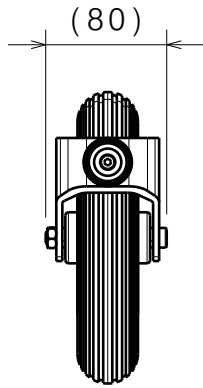
Initials

BK

WM

TK





NOTICE: THE INFORMATION CONTAINED ON THIS DRAWING IS PROPRIETARY TO VERMEIREN GROUP AND SHALL NOT BE DISCLOSED IN WHOLE OR IN PART, OR USED FOR ANY DESIGN OR MANUFACTURE, EXCEPT WHEN SUCH USER POSSESSES DIRECT WRITTEN AUTHORISATION FROM VERMEIREN GROUP.

Sheet 2/2

FRONT WHEEL PLEGO

Plan No.

E00062349/B.1

Scale:	1:2	Drafted	Verified	Confirmed
Date	20/06/2023	05/02/2024	05/02/2024	
Initials	BK	WM	WM	

