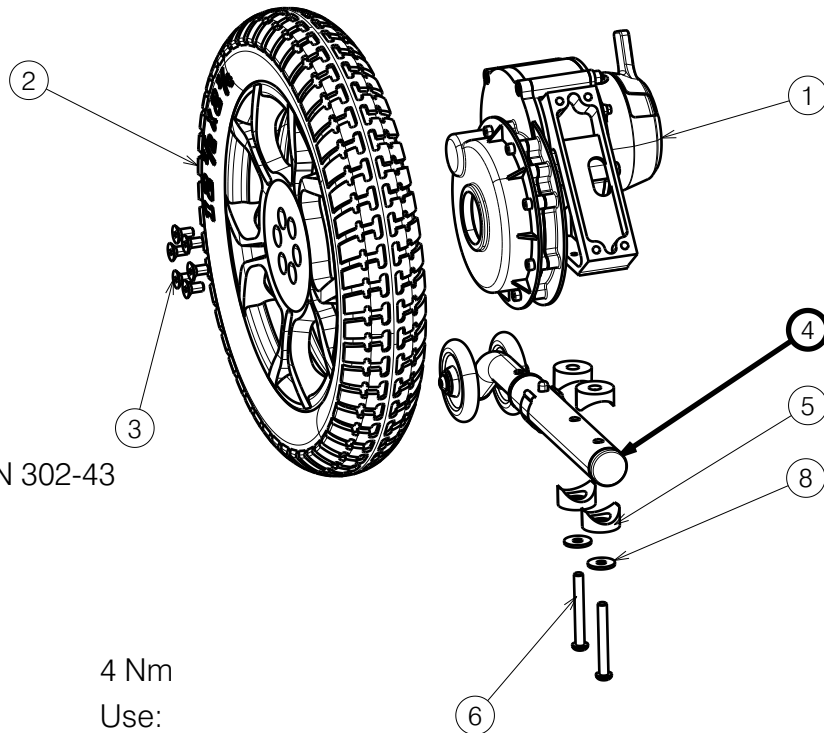
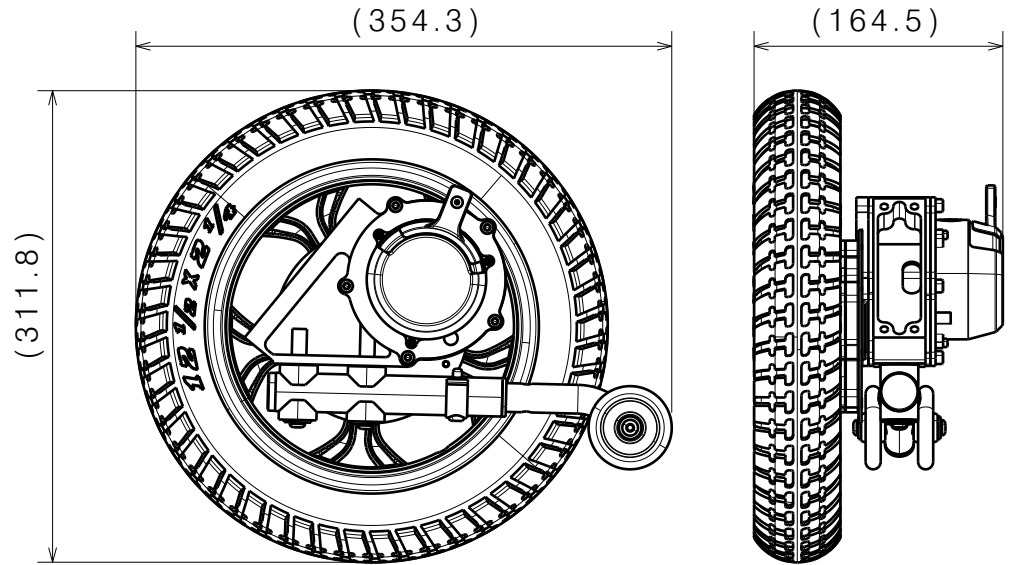
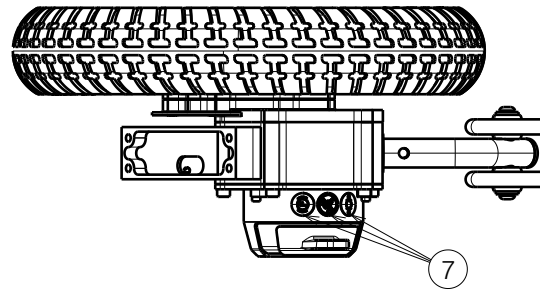


No.	Plan	Article	Qty
1	3994670	3994670	1
2	3994671	3994671	1
3	DIN7991 M6X12	3994672	6
4	E00053020	---	1 (0.5 of pair)
5	X000106	G003218	4
6	M6X50	2994965	2
7	---	1995235	1
8	2994908	2994908	2



10 Nm  
Use:  
WEICONLOCK AN 302-43

4 Nm  
Use:  
WEICONLOCK AN 302-43



NOTICE: THE INFORMATION CONTAINED ON THIS DRAWING IS PROPRIETARY TO VERMEIREN GROUP AND SHALL NOT BE DISCLOSED IN WHOLE OR IN PART, OR USED FOR ANY DESIGN OR MANUFACTURE, EXCEPT WHEN SUCH USER POSSESSES DIRECT WRITTEN AUTHORISATION FROM VERMEIREN GROUP.

RIGHT REAR WHEEL PLEGO			
Scale:	1:5	Drafted	Verified
Date	29/06/2023	02/02/2024	02/02/2024
Initials	BK	WM	WM

---
Plan No. E00062352/B.2